



# MIL-DTL-26482 Series 1

## TYPE CONNECTORS



### Table of Contents

Page

Technical Specifications

34

#### Contact and Insert Arrangements

Insert Alternate & Alternate Positioning

36

Contact Arrangements

37

#### MIL-C 26482 Series 1

Wall Mounting Receptacle (MS3110)

39

In - Line Receptacle (MS3111)

40

Box Mounting Receptacle (MS3112)

42

Jam Nut Receptacle (MS3114)

42

Straight Plug (MS3116)

44

Thru - Bulkhead Receptacle (MS3119)

46

#### MIL-C 26482 Accessories

Protective Cover (MS3180 / MS3181)

47

# Technical Specifications

## [ Materials & Finishes ]

Shell	Aluminum alloy / Olive drab chromate coating over cadmium or nickel plating
Insulator	Synthetic rubber
Contact	Copper alloy / Gold plating
Gasket and Grommet	Synthetic rubber

## [ Electrical Data ]

Operating Voltage Test Voltage	Service Rating	Test Altitude	Maximum Operating Voltage		Test Voltage	
			DC	AC (r.m.s.)	DC	AC (r.m.s.)
	I	Sea Level	850	600	2,100	1,500
	II	Sea Level	1,275	1,000	3,200	2,300
	I	70,000 feet	-	300	535	375
	II	70,000 feet	-	450	770	500

Current Rating	Contact Size	Rated Current (Amps)	Test Current (Amps)	Potential Drop (Millivolts)
	20	7.5	7.5	<55
	16	22.0	13.0	<50

Wire Range Size	24 to 16 AWG
Insulator Resistance	Min. 5000 MΩ at 77°F (+25°C)

## [ Mechanical ]

Operating Temperature	-67°F (-55°C) to +257°F (+125°C)
Water Pressure	2 bar differential pressure, leakage ≤16 cm <sup>3</sup> /hr

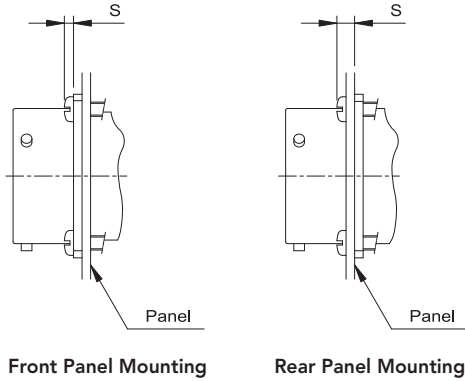
Wire Sealing Range	Contact Size	AWG Wire Size	Insulation Outside Diameter Limit			
			Min.		Max.	
			Inches	mm	Inches	mm
	20	24, 22 and 20	0.060	1.52	0.083	2.11
	16	20, 18 and 16	0.066	1.68	0.109	2.77

Durability	500 cycles of mating / unmating operations
Salt Spray	48 hours at environmental temperature. (Cadmium Plating)
Heat	+347°F (+175°C) for 1,000 hours.
Chemical Resistance	20 hour full immersion unmated in hydraulic fluid and lubricating oil.
Vibration	10 to 2,000Hz (15g's) 10 microseconds maximum discontinuity.
Shock	50g's, 11 ms duration, three major axes. 10 microseconds maximum discontinuity.
Contact Style	Solder
Number of Contact	2 to 61

Contact Retention	Contact Size	Axial Load Min.	
		Newtons	Lbs.
	20	66.7	15
	16	111.2	25

## Technical Specifications

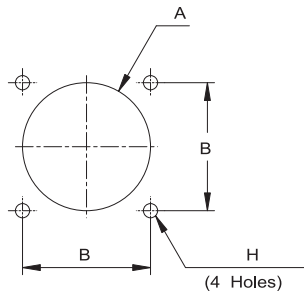
### [ Panel Mounting Data ]



#### Max. Panel & Screw Head

Shell Size	MS3110	MS3112	MS3119
8	2.21	2.21	5.54
10	2.21	2.21	5.54
12	2.21	2.21	5.54
14	2.21	2.21	5.54
16	2.21	2.21	5.54
18	2.21	2.21	5.54
20	5.38	5.38	8.74
22	5.38	5.38	8.74
24	5.38	5.38	7.90

### [ Panel Cutout Dimensions ]

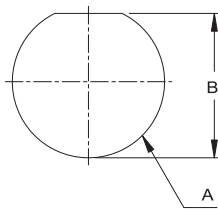


#### Box & Wall Mounting Receptacle

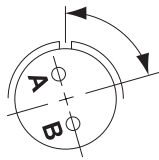
Shell Size	A dia. +0.25 / - 0.00	B(TP)	H dia. ±0.13
8	15.70	15.09	3.18
10	18.67	18.26	3.18
12	21.82	20.26	3.18
14	25.02	23.01	3.18
16	28.27	24.61	3.18
18	31.37	26.97	3.18
20	34.57	29.43	3.18
22	37.72	31.75	3.18
24	40.92	34.93	3.94

#### Jam Nut Receptacle

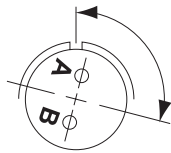
Shell Size	A dia. +0.25 / -0.00	B +0.00 / -0.25
8	14.68	13.8
10	17.7	17.0
12	22.5	21.1
14	25.6	24.3
16	28.8	27.5
18	32.0	30.7
20	35.2	33.9
22	38.3	37.1
24	41.5	40.0



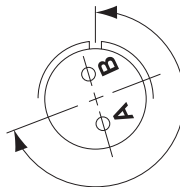
## Insert Arrangement & Alternate Positioning



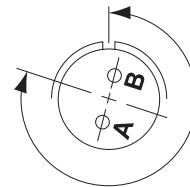
Position W



Position X



Position Y



Position Z

View looking into front face of pin insert or rear of socket insert.

Shell Size	Layout	Service Rating	Total Contacts	Contact Size			Alternate Position Degrees			
				20	16	12	W	X	Y	Z
8	2	I	2	2			58	122	-	-
	3	I	3	3			60	210	-	-
	4	I	4	4			45	-	-	-
	33	I	3	3			90	-	-	-
10	6	I	6	6			90	-	-	-
	98	I	6	6			90	180	240	270
12	3	II	3		3		-	-	180	-
	8	I	8	8			90	112	203	292
	10	I	10	10			60	155	270	295
14	5	II	5		5		40	92	184	273
	12	I	12	8	4		43	90	-	-
	15	I	15	14	1		17	110	155	234
	18	I	18	18			15	90	180	270
	19	I	19	19			30	165	315	-
16	8	II	8		8		54	152	180	331
	23	I	23	22	1		158	270	-	-
	26	I	26	26			60	-	275	338

Shell Size	Layout	Service Rating	Total Contacts	Contact Size			Alternate Position Degrees			
				20	16	12	W	X	Y	Z
18	11	II	11		11		62	119	241	340
	30	I	30	29	1		180	193	285	350
	32	I	32	32			85	138	222	265
	16	II	16		16		238	318	333	347
20	24	I	24	24			70	145	215	290
	27	I	27	27			72	144	216	288
	39	I	39	37	2		83	144	252	333
	41	I	41	41			45	126	225	-
22	21	II	21		21		16	135	175	349
	32	I	32	32			72	145	215	288
	34	I	34	34			62	142	218	298
	41	I	41	27	14		39	135	264	-
	55	I	55	55			30	142	226	314
	24	31	I	31		31		90	225	255
61		I	61	61			90	180	270	324

# Contact Arrangement

Front face of pin insert illustrated.

	○	●
<b>CONTACT LEGEND</b>	20	16

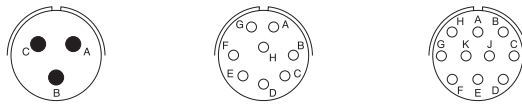
## Shell Size 8

## Shell Size 10



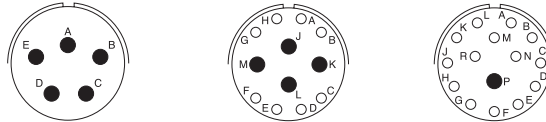
<b>Insert Arrangement</b>	8-2	8-3	8-4	8-33	10-6	10-98
<b>Contact Size - No. of Contacts</b>	#20-2	#20-3	#20-4	#20-3	#20-6	#20-6
<b>Service Rating</b>	I	I	I	I	I	I

## Shell Size 12



<b>Insert Arrangement</b>	12-3	12-8	12-10
<b>Contact Size - No. of Contacts</b>	#16-3	#20-8	#20-10
<b>Service Rating</b>	II	I	I

## Shell Size 14

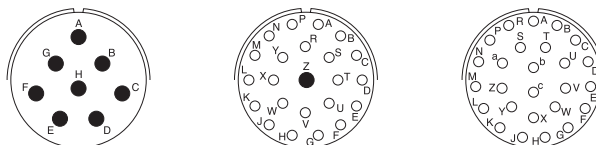


<b>Insert Arrangement</b>	14-5	14-12	14-15
<b>Contact Size - No. of Contacts</b>	#16-5	#20-8, #16-4	#20-14, #16-1
<b>Service Rating</b>	II	I	I



<b>Insert Arrangement</b>	14-18	14-19
<b>Contact Size - No. of Contacts</b>	#20-18	#20-19
<b>Service Rating</b>	I	I

## Shell Size 16

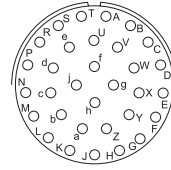
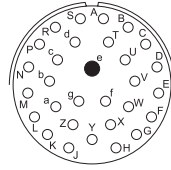
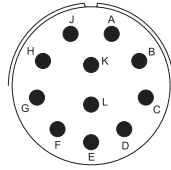


<b>Insert Arrangement</b>	16-8	16-23	16-26
<b>Contact Size - No. of Contacts</b>	#16-8	#20-22, #16-1	#20-26
<b>Service Rating</b>	II	I	I

MIL-DTL-26482 Ser. I Type

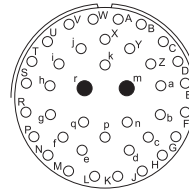
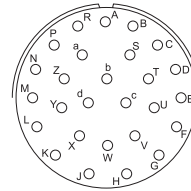
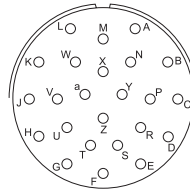
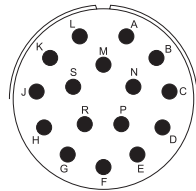
# Contact Arrangement

## Shell Size 18

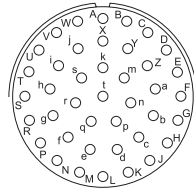


Insert Arrangement	18-11	18-30	18-32
Contact Size - No. of Contacts	#16-11	#20-29, #16-1	#20-32
Service Rating	II	I	I

## Shell Size 20

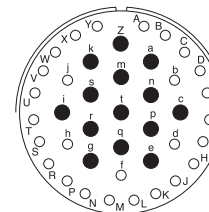
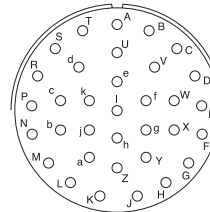
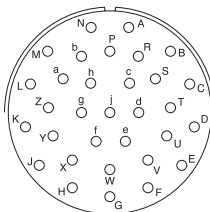
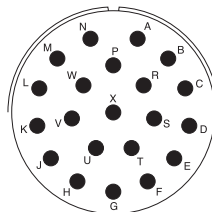


Insert Arrangement	20-16	20-24	20-27	20-39
Contact Size - No. of Contacts	#16-16	#20-24	#20-27	#20-37, #16-2
Service Rating	II	I	I	I



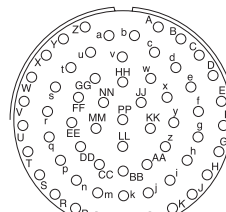
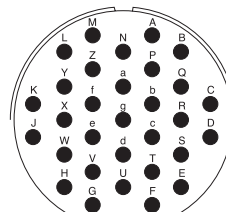
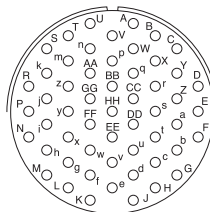
Insert Arrangement	20-41
Contact Size - No. of Contacts	#20-41
Service Rating	I

## Shell Size 22



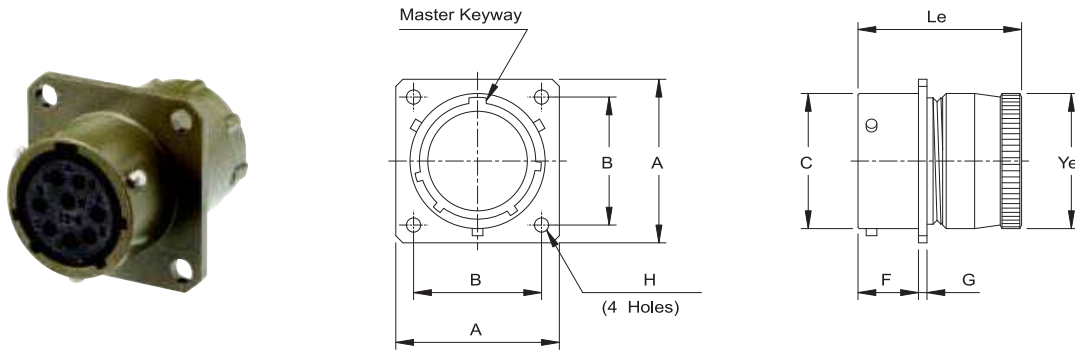
Insert Arrangement	22-21	22-32	22-34	22-41
Contact Size - No. of Contacts	#16-21	#20-32	#20-34	#20-27, #16-14
Service Rating	II	I	I	I

## Shell Size 24



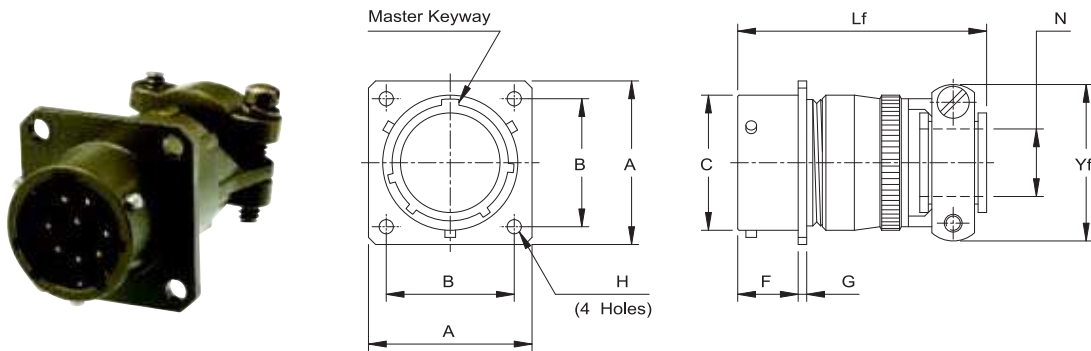
Insert Arrangement	22-55	24-31	24-61
Contact Size - No. of Contacts	#20-55	#16-31	#20-61
Service Rating	I	I	I

## I/MS3110E Wall Mounting Receptacle With Backnut



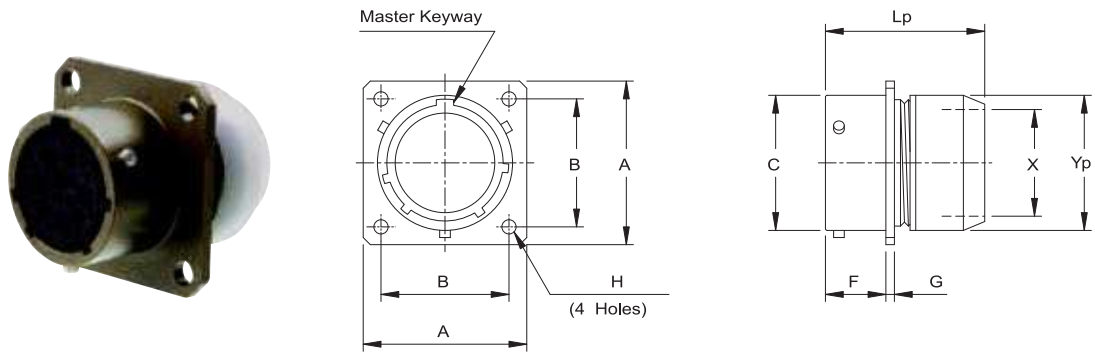
Part No.	A max.	B ±0.13	C dia. +0.00 -0.15	F +0.79 -0.00	G ±0.41	H dia. ±0.13	Le max.	Ye dia. max.
I/MS3110E 8-*	21.03	15.09	12.04	10.95	1.57	3.05	33.73	15.44
I/MS3110E 10-*	24.23	18.26	15.01	10.95	1.57	3.05	33.73	18.64
I/MS3110E 12-*	26.59	20.62	19.08	10.95	1.57	3.05	33.73	21.79
I/MS3110E 14-*	28.98	23.01	22.25	10.95	1.57	3.05	33.73	24.99
I/MS3110E 16-*	31.34	24.61	25.43	10.95	1.57	3.05	33.73	28.19
I/MS3110E 18-*	33.73	26.97	28.60	10.95	1.57	3.05	33.73	31.34
I/MS3110E 20-*	36.90	29.36	31.78	14.12	2.39	3.05	38.89	34.54
I/MS3110E 22-*	40.08	31.75	34.95	14.12	2.39	3.05	38.89	37.69
I/MS3110E 24-*	43.18	34.93	38.13	14.96	2.39	3.73	40.49	40.89

## I/MS3110F Wall Mounting Receptacle With Clamp



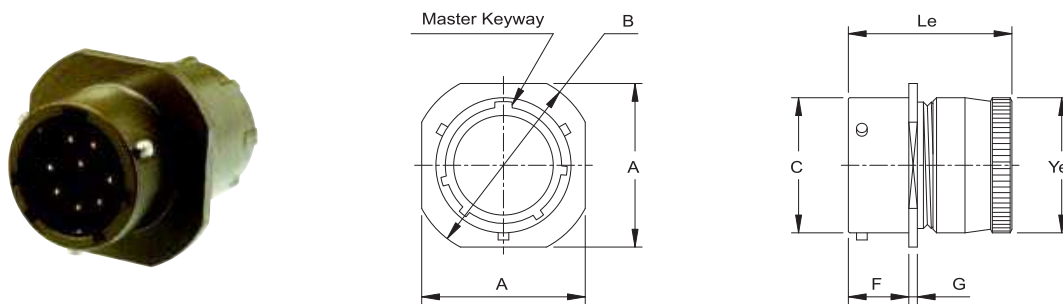
Part No.	A max.	B ±0.13	C dia. +0.00 -0.15	F +0.79 -0.00	G ±0.41	H dia. ±0.13	Lf max.	N dia. ±0.25	Yf max.
I/MS3110F 8-*	21.03	15.09	12.04	10.95	1.57	3.05	48.82	3.18	21.03
I/MS3110F 10-*	24.23	18.26	15.01	10.95	1.57	3.05	48.82	4.78	22.63
I/MS3110F 12-*	26.59	20.62	19.08	10.95	1.57	3.05	48.82	7.92	25.81
I/MS3110F 14-*	28.98	23.01	22.25	10.95	1.57	3.05	48.82	9.53	28.98
I/MS3110F 16-*	31.34	24.61	25.43	10.95	1.57	3.05	51.99	12.70	30.56
I/MS3110F 18-*	33.73	26.97	28.60	10.95	1.57	3.05	52.78	15.88	37.31
I/MS3110F 20-*	36.90	29.36	31.78	14.12	2.39	3.05	59.54	15.88	37.31
I/MS3110F 22-*	40.08	31.75	34.95	14.12	2.39	3.05	59.54	19.05	42.06
I/MS3110F 24-*	43.18	34.93	38.13	14.96	2.39	3.73	61.11	20.32	44.45

## I/MS3110P Wall Mounting Receptacle With Potting Shell



Part No.	A max.	B ±0.13	C dia. +0.00 -0.15	F +0.79 -0.00	G ±0.41	H dia. ±0.13	Lp max.	X dia. min.	Yp dia. max.
I/MS3110P 8-*	21.03	15.09	12.04	10.95	1.57	3.05	36.91	8.05	15.44
I/MS3110P 10-*	24.23	18.26	15.01	10.95	1.57	3.05	36.91	11.02	18.64
I/MS3110P 12-*	26.59	20.62	19.08	10.95	1.57	3.05	36.91	13.92	21.79
I/MS3110P 14-*	28.98	23.01	22.25	10.95	1.57	3.05	36.91	17.09	24.99
I/MS3110P 16-*	31.34	24.61	25.43	10.95	1.57	3.05	36.91	20.27	28.19
I/MS3110P 18-*	33.73	26.97	28.60	10.95	1.57	3.05	36.91	22.83	31.34
I/MS3110P 20-*	36.90	29.36	31.78	14.12	2.39	3.05	42.47	26.01	34.54
I/MS3110P 22-*	40.08	31.75	34.95	14.12	2.39	3.05	42.47	29.18	37.69
I/MS3110P 24-*	43.18	34.93	38.13	14.96	2.39	3.73	44.04	32.36	40.89

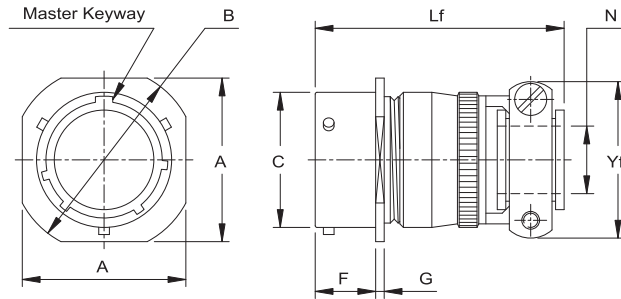
## I/MS3111E In-Line Receptacle With Backnut



Part No.	A max.	B dia. ±0.51	C dia. +0.00 -0.15	F +0.79 -0.00	G ±0.41	Le max.	Ye dia. max.
I/MS3111E 8-*	21.03	23.83	12.04	10.16	2.39	33.73	15.44
I/MS3111E 10-*	24.23	26.97	15.01	10.16	2.39	33.73	18.64
I/MS3111E 12-*	26.59	29.36	19.08	10.16	2.39	33.73	21.79
I/MS3111E 14-*	28.98	31.75	22.25	10.16	2.39	33.73	24.99
I/MS3111E 16-*	31.34	34.14	25.43	10.16	2.39	33.73	28.19
I/MS3111E 18-*	33.73	36.53	28.60	10.16	2.39	33.73	31.34
I/MS3111E 20-*	36.91	39.67	31.78	13.59	2.92	38.89	35.54
I/MS3111E 22-*	40.08	42.88	34.95	13.59	2.92	38.89	37.69
I/MS3111E 24-*	43.18	46.02	38.13	14.17	2.92	40.49	40.89

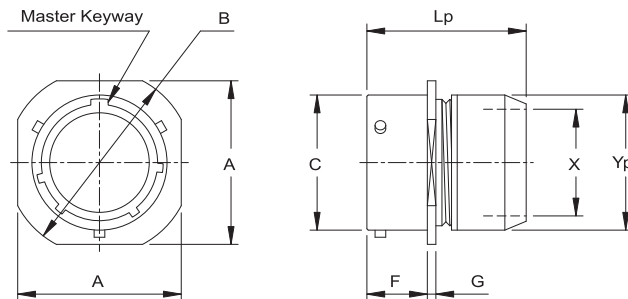


## I/MS3111F In-Line Receptacle With Clamp



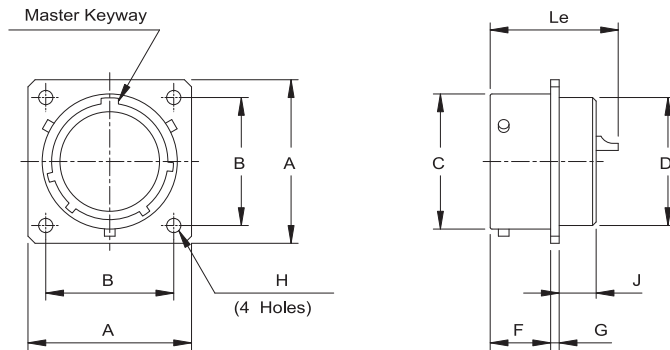
Part No.	A max.	B dia. ±0.51	C dia. +0.00 -0.15	F +0.79 -0.00	G ±0.41	Lf max.	N dia. ±0.25	Yf max.
I/MS3111F 8-*	21.03	23.83	12.04	10.16	2.39	48.82	3.18	21.03
I/MS3111F 10-*	24.23	26.97	15.01	10.16	2.39	48.82	4.78	22.63
I/MS3111F 12-*	26.59	29.36	19.08	10.16	2.39	48.82	7.92	25.81
I/MS3111F 14-*	28.98	31.75	22.25	10.16	2.39	48.82	9.53	28.98
I/MS3111F 16-*	31.34	34.14	25.43	10.16	2.39	51.99	12.70	30.56
I/MS3111F 18-*	33.73	36.53	28.60	10.16	2.39	52.78	15.88	37.31
I/MS3111F 20-*	36.91	39.67	31.78	13.59	2.92	59.54	15.88	37.31
I/MS3111F 22-*	40.08	42.88	34.95	13.59	2.92	59.54	19.05	42.06
I/MS3111F 24-*	43.18	46.02	38.13	14.17	2.92	61.11	20.32	44.45

## I/MS3111P In-Line Receptacle With Potting Shell



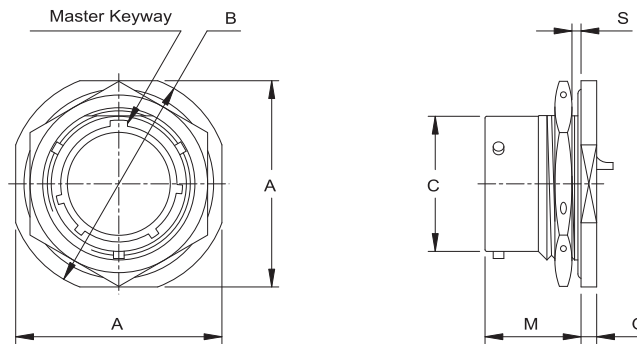
Part No.	A max.	B dia. ±0.51	C dia. +0.00 -0.15	F +0.79 -0.00	G ±0.41	Lp max.	X dia. min.	Yp dia. max.
I/MS3111P 8-*	21.03	23.83	12.04	10.16	2.39	36.91	8.05	15.44
I/MS3111P 10-*	24.23	26.97	15.01	10.16	2.39	36.91	11.02	18.64
I/MS3111P 12-*	26.59	29.36	19.08	10.16	2.39	36.91	13.92	21.79
I/MS3111P 14-*	28.98	31.75	22.25	10.16	2.39	36.91	17.09	24.99
I/MS3111P 16-*	31.34	34.14	25.43	10.16	2.39	36.91	20.27	28.19
I/MS3111P 18-*	33.73	36.53	28.60	10.16	2.39	36.91	22.83	31.34
I/MS3111P 20-*	36.91	39.67	31.78	13.59	2.92	42.47	26.01	34.54
I/MS3111P 22-*	40.08	42.88	34.95	13.59	2.92	42.47	29.18	37.69
I/MS3111P 24-*	43.18	46.02	38.13	14.17	2.92	44.04	32.36	40.89

## I/MS3112E Box Mounting Receptacle Not Accepting Backshell



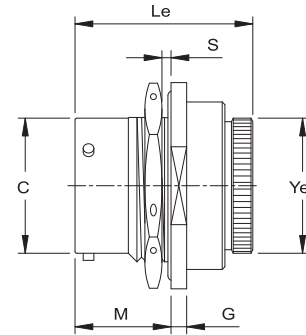
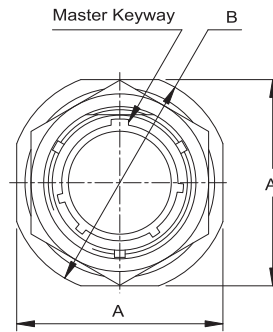
Part No.	A max.	B ±0.13	C dia. +0.00 -0.15	D dia. +0.79 -0.41	F +0.79 -0.00	G ±0.41	H dia. ±0.13	J max.	Le max.
I/MS3112E 8-*	21.03	15.09	12.04	11.12	10.95	1.57	3.05	8.99	24.84
I/MS3112E 10-*	24.23	18.26	15.01	14.27	10.95	1.57	3.05	8.99	24.84
I/MS3112E 12-*	26.59	20.62	19.08	17.48	10.95	1.57	3.05	8.99	24.84
I/MS3112E 14-*	28.98	23.01	22.25	20.62	10.95	1.57	3.05	8.99	24.84
I/MS3112E 16-*	31.34	24.61	25.43	23.83	10.95	1.57	3.05	8.99	24.84
I/MS3112E 18-*	33.73	26.97	28.60	26.97	10.95	1.57	3.05	8.99	24.84
I/MS3112E 20-*	36.90	29.36	31.78	30.18	14.12	2.39	3.05	10.59	30.38
I/MS3112E 22-*	40.08	31.75	34.95	33.32	14.12	2.39	3.05	10.59	30.38
I/MS3112E 24-*	43.26	34.93	38.13	36.53	14.96	2.39	3.73	11.30	30.38

## I/MS3114A Jam Nut Receptacle Not Accepting Backshell



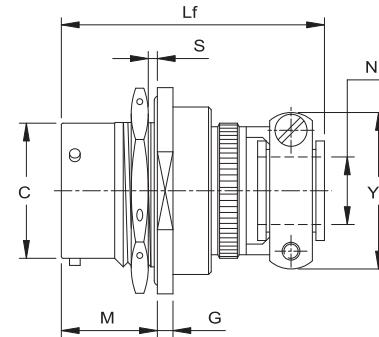
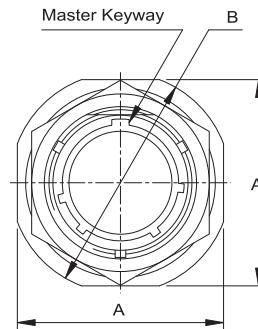
Part No.	A max.	B dia. +0.00 -0.81	C dia. +0.00 -0.15	G ±0.51	M +0.79 -0.00	S Panel thick Ref. min. / max.
I/MS3114A 8-*	24.23	27.38	12.04	2.97	17.55	1.57 / 3.18
I/MS3114A 10-*	27.38	30.56	15.01	2.97	17.55	1.57 / 3.18
I/MS3114A 12-*	32.16	35.33	19.08	2.97	17.55	1.57 / 3.18
I/MS3114A 14-*	35.33	38.51	22.25	2.97	17.55	1.57 / 3.18
I/MS3114A 16-*	38.51	41.68	25.43	2.97	17.55	1.57 / 3.18
I/MS3114A 18-*	41.68	44.86	28.60	2.97	17.55	1.57 / 3.18
I/MS3114A 20-*	46.43	49.63	31.78	3.76	22.33	1.57 / 6.35
I/MS3114A 22-*	49.63	52.78	34.95	3.76	22.33	1.57 / 6.35
I/MS3114A 24-*	52.78	55.96	38.13	3.76	23.16	1.57 / 6.35

## I/MS3114E Jam Nut Receptacle With Backnut



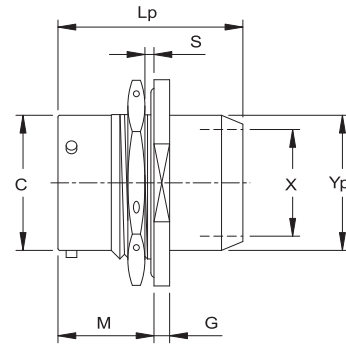
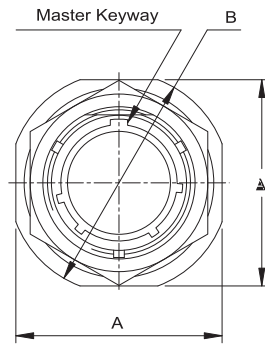
Part No.	A max.	B dia. +0.00 -0.81	C dia. +0.00 -0.15	G ±0.41	Le max.	M +0.79 -0.00	S Panel thick min. / max.	Ye dia. max.
I/MS3114E 8-*	24.23	27.38	12.04	2.97	34.14	17.55	1.57 / 3.18	19.05
I/MS3114E 10-*	27.38	30.56	15.01	2.97	34.14	17.55	1.57 / 3.18	22.23
I/MS3114E 12-*	32.16	35.33	19.08	2.97	34.14	17.55	1.57 / 3.18	25.40
I/MS3114E 14-*	35.33	38.51	22.25	2.97	34.14	17.55	1.57 / 3.18	28.58
I/MS3114E 16-*	38.51	41.68	25.43	2.97	34.14	17.55	1.57 / 3.18	31.75
I/MS3114E 18-*	41.68	44.86	28.60	2.97	34.14	17.55	1.57 / 3.18	34.93
I/MS3114E 20-*	46.43	49.63	31.78	3.76	40.49	22.33	1.57 / 6.35	38.89
I/MS3114E 22-*	49.63	52.78	34.95	3.76	40.49	22.33	1.57 / 6.35	42.06
I/MS3114E 24-*	52.78	55.96	38.13	3.76	41.68	23.16	1.57 / 6.35	45.24

## I/MS3114F Jam Nut Receptacle With Clamp



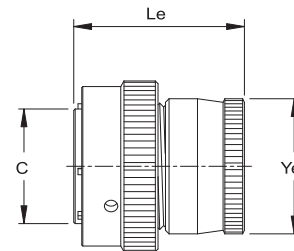
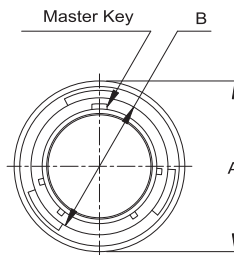
Part No.	A max.	B dia. +0.00 -0.81	C dia. +0.00 -0.15	G ±0.41	Lf max.	M +0.79 -0.00	N dia. ±0.25	S Panel thick min. / max.	Yf max.
I/MS3114F 8-*	24.23	27.38	12.04	2.97	48.41	17.55	3.18	1.57 / 3.18	21.03
I/MS3114F 10-*	27.38	30.56	15.01	2.97	48.41	17.55	4.78	1.57 / 3.18	22.63
I/MS3114F 12-*	32.16	35.33	19.08	2.97	48.41	17.55	7.92	1.57 / 3.18	25.81
I/MS3114F 14-*	35.33	38.51	22.25	2.97	48.41	17.55	9.53	1.57 / 3.18	28.98
I/MS3114F 16-*	38.51	41.68	25.43	2.97	51.99	17.55	12.70	1.57 / 3.18	30.56
I/MS3114F 18-*	41.68	44.86	28.60	2.97	52.78	17.55	15.88	1.57 / 3.18	37.31
I/MS3114F 20-*	46.43	49.63	31.78	3.76	59.13	22.33	15.88	1.57 / 6.35	37.31
I/MS3114F 22-*	49.63	52.78	34.95	3.76	59.13	22.33	19.05	1.57 / 6.35	42.06
I/MS3114F 24-*	52.78	55.96	38.13	3.76	62.31	23.16	20.32	1.57 / 6.35	44.45

## I/MS3114P Jam Nut Receptacle With Potting Shell



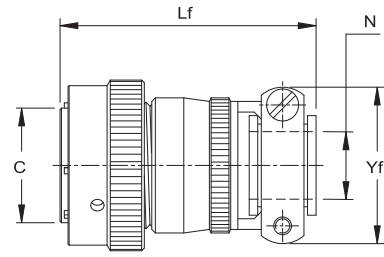
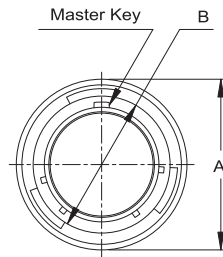
Part No.	A max.	B dia. +0.00 -0.81	C dia. +0.00 -0.15	G ±0.51	Lp max.	M +0.79 -0.00	S Panel thick min. / max.	X dia. min.	Yp dia. max.
I/MS3114P 8-*	24.23	27.38	12.04	2.97	35.33	17.55	1.57 / 3.18	8.05	15.44
I/MS3114P 10-*	27.38	30.56	15.01	2.97	35.33	17.55	1.57 / 3.18	11.02	18.64
I/MS3114P 12-*	32.16	35.33	19.08	2.97	35.33	17.55	1.57 / 3.18	13.92	21.79
I/MS3114P 14-*	35.33	38.51	22.25	2.97	35.33	17.55	1.57 / 3.18	17.09	24.99
I/MS3114P 16-*	38.51	41.68	25.43	2.97	35.33	17.55	1.57 / 3.18	20.27	28.19
I/MS3114P 18-*	41.68	44.86	28.60	2.97	35.33	17.55	1.57 / 3.18	22.83	31.34
I/MS3114P 20-*	46.43	49.63	31.78	3.76	41.68	22.33	1.57 / 6.35	26.01	34.54
I/MS3114P 22-*	49.63	52.78	34.95	3.76	41.68	22.33	1.57 / 6.35	29.18	37.69
I/MS3114P 24-*	52.78	55.96	38.13	3.76	43.26	23.16	1.57 / 6.35	32.36	40.89

## I/MS3116E Straight Plug With Backnut



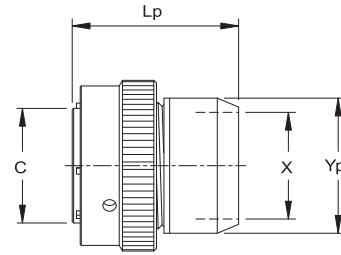
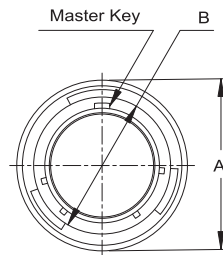
Part No.	A dia. max.	B dia. +0.15 -0.00	C dia. +0.00 -0.15	Le max.	Ye dia. max.
I/MS3116E 8-*	19.86	12.19	9.09	33.73	15.44
I/MS3116E 10-*	23.52	15.27	12.34	33.73	18.64
I/MS3116E 12-*	26.49	19.30	15.19	33.73	21.79
I/MS3116E 14-*	30.05	22.45	18.36	33.73	24.99
I/MS3116E 16-*	33.15	25.63	21.54	33.73	28.19
I/MS3116E 18-*	35.33	28.83	24.08	33.73	31.34
I/MS3116E 20-*	38.89	31.98	27.25	36.91	34.54
I/MS3116E 22-*	42.06	35.15	30.43	36.91	37.69
I/MS3116E 24-*	45.14	38.33	33.60	38.35	40.89

## I/MS3116F Straight Plug With Clamp



Part No.	A dia. max.	B dia. +0.15 -0.00	C dia. +0.00 -0.15	Lf max.	N dia. ±0.25	Yf max.
I/MS3116F 8-*	19.86	12.19	9.09	48.41	3.18	21.03
I/MS3116F 10-*	23.52	15.27	12.34	48.41	4.78	22.63
I/MS3116F 12-*	26.49	19.30	15.19	48.41	7.92	25.81
I/MS3116F 14-*	30.05	22.45	18.36	48.41	9.53	28.98
I/MS3116F 16-*	33.15	25.63	21.54	51.99	12.70	30.56
I/MS3116F 18-*	35.33	28.83	24.08	52.78	15.88	37.31
I/MS3116F 20-*	38.89	31.98	27.25	57.15	15.88	37.31
I/MS3116F 22-*	42.06	35.15	30.43	57.15	19.05	42.06
I/MS3116F 24-*	45.14	38.33	33.60	58.72	20.32	44.45

## I/MS3116P Straight Plug With Potting Shell

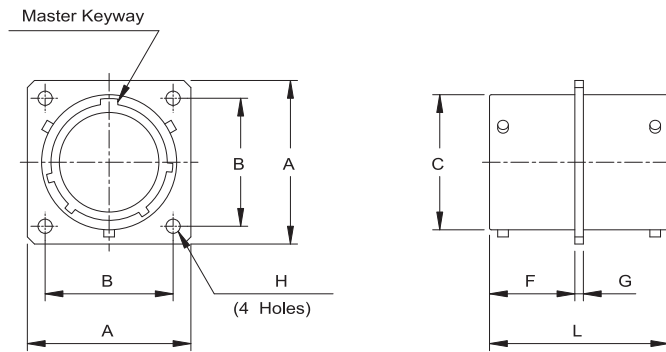


Part No.	A dia. max.	B dia. +0.15 -0.00	C dia. +0.00 -0.15	Lp max.	X dia. min.	Yp dia. max.
I/MS3116P 8-*	19.86	12.19	9.09	38.10	8.05	15.44
I/MS3116P 10-*	23.52	15.27	12.34	38.10	11.02	18.64
I/MS3116P 12-*	26.49	19.30	15.19	38.10	13.92	21.79
I/MS3116P 14-*	30.05	22.45	18.36	38.10	17.09	24.99
I/MS3116P 16-*	33.15	25.63	21.54	38.10	20.27	28.19
I/MS3116P 18-*	35.33	28.83	24.08	38.10	22.83	31.34
I/MS3116P 20-*	38.89	31.98	27.25	40.87	26.01	34.54
I/MS3116P 22-*	42.06	35.15	30.43	40.87	29.18	37.69
I/MS3116P 24-*	45.14	38.33	33.60	42.85	32.36	40.89

## I/MS3119E Thru-Bulkhead Receptacle

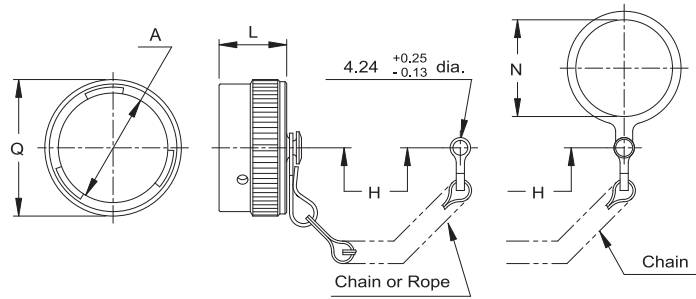


Reference Only



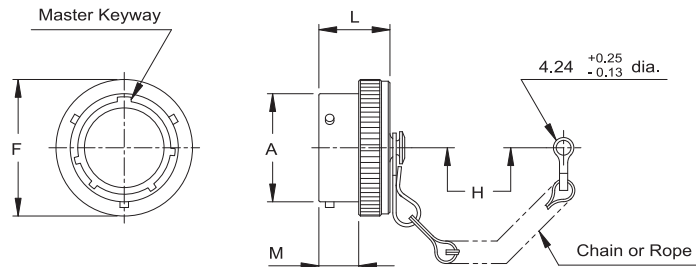
Part No.	A max.	B ±0.13	C dia. +0.00 -0.15	F +0.79 -0.00	G ±0.41	H dia. ±0.13	L max.
I/MS3119E 8-*	21.03	15.09	12.04	14.27	1.57	3.05	28.58
I/MS3119E 10-*	24.23	18.26	15.01	14.27	1.57	3.05	28.58
I/MS3119E 12-*	26.59	20.62	19.08	14.27	1.57	3.05	28.58
I/MS3119E 14-*	28.98	23.01	22.25	14.27	1.57	3.05	28.58
I/MS3119E 16-*	31.34	24.61	25.43	14.27	1.57	3.05	28.58
I/MS3119E 18-*	33.73	26.97	28.60	14.27	1.57	3.05	28.58
I/MS3119E 20-*	36.91	29.36	31.78	17.48	2.39	3.05	35.71
I/MS3119E 22-*	40.08	31.75	34.95	17.48	2.39	3.05	35.71
I/MS3119E 24-*	43.26	34.93	38.13	17.48	2.39	3.73	35.71

## I/MS3181 Protective Cover For Receptacle



Part No.	Dash no. (with Chain)	Dash no. (with Chain and Ring)	Dash no. (with Rope)	A dia. +0.15 -0.00	H +12.70 -6.35	L max.	N dia. min.	Q dia. max.
I/MS3181.*	8C	8N	8R	12.19	76.20	14.27	14.68	18.64
I/MS3181.*	10C	10N	10R	15.27	76.20	14.27	17.86	21.82
I/MS3181.*	12C	12N	12R	19.30	88.90	14.27	22.63	25.40
I/MS3181.*	14C	14N	14R	22.45	88.90	14.27	25.81	28.58
I/MS3181.*	16C	16N	16R	25.63	88.90	14.27	28.98	31.75
I/MS3181.*	18C	18N	18R	28.83	88.90	14.27	32.16	34.92
I/MS3181.*	20C	20N	20R	31.98	101.60	14.27	35.33	38.10
I/MS3181.*	22C	22N	22R	35.15	101.60	14.27	38.51	41.28
I/MS3181.*	24C	24N	24R	38.33	101.60	15.29	41.68	44.45

## I/MS3180 Protective Cover For Plug



Part No.	Dash no. (with Chain)	Dash no. (with Rope)	A dia. +0.00 -0.15	F dia. max.	H +12.70 -6.35	L max.	M +0.25 -0.00
I/MS3180.*	8C	8R	12.04	18.26	76.20	14.27	9.35
I/MS3180.*	10C	10R	15.01	21.44	76.20	14.27	9.35
I/MS3180.*	12C	12R	19.08	25.40	88.90	14.27	9.35
I/MS3180.*	14C	14R	22.25	28.58	88.90	14.27	9.35
I/MS3180.*	16C	16R	25.43	31.75	88.90	14.27	9.35
I/MS3180.*	18C	18R	28.60	34.92	88.90	14.27	9.35
I/MS3180.*	20C	20R	31.78	38.10	101.60	15.88	10.92
I/MS3180.*	22C	22R	34.95	41.28	101.60	15.88	10.92
I/MS3180.*	24C	24R	38.13	44.45	101.60	16.71	11.76