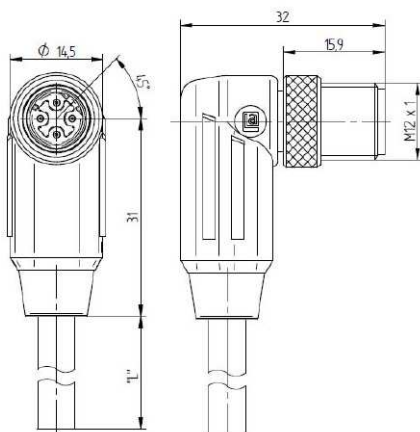


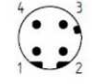
## Product information

### 0985 342 130 (RSWTS 4D) - 0985 342 130/10 M

Product Information	
Name	0985 342 130 (RSWTS 4D)
	
	Cord set, single-ended, M12 Industrial Ethernet data cable, molded on one side with M12 male connector, with threaded joint, right angled version, D coded, 4 poles, 360° shielding connected to knurled screw, colour coding of the conductor acc. to Euro-standard, PUR jacket, halogen-free, screened, green, 10 meter.
<b>Delivery informations</b>	
Availability	available
<b>Product description</b>	
Type	0985 342 130/10 M
Order No.	2524
Description	Cord set, single-ended, M12 Industrial Ethernet data cable, molded on one side with M12 male connector, with threaded joint, right angled version, D coded, 4 poles, 360° shielding connected to knurled screw, colour coding of the conductor acc. to Euro-standard, PUR jacket, halogen-free, screened, green, 10 meter.
Note	Technical modifications reserved. The application of these products in harsh environments should always be checked before use. Certifications pending.
Color of housing	black
Number of contacts	4
Product characteristics	Oil resistance, Vibration resistance, Drag chains, EMC resistance
<b>Classification</b>	
Belden class	Industrial Ethernet Data Cables
Belden brand	Lumberg-Automation
<b>Mechanical data</b>	
Type of plug-in contact	Male connector
Design of housing	angled
Thread	M12
Coding of the M12 round plug connector	D
<b>Environmental conditions</b>	
Environmental temperature	-25 °C ... 85 °C
Degree of protection (IP), mounted	IP67, IP68, IP69k (IEC 60529)
Pollution degree	3
<b>Materials</b>	
Housing material / Molded body	TPU
Contact bearer material	PBT
Contact material	CuSn
Contact material - Surface refinement	Cu/Au
Knurled screw / nut material	CuZn, nickel-plated
Sealing material	FKM
Shield sleeve material	CuZn, tined
<b>Approvals</b>	
Approvals	UL
RoHS 2002/95/EG compliant	yes
<b>Electrical data</b>	
Contact resistance	≤ 5 mΩ
Rated current I <sub>n</sub>	4 A at 40°C
Rated voltage	240 V AC/DC
Test voltage	2 kV eff./60 s
Insulation resistance	> 1 GΩ
<b>Cable</b>	
Cable length	10 m
Cable number	342

<b>Cable description</b>	Bus cable Industrial Ethernet, ProfiNet type C standard
<b>Color of jacket</b>	green
<b>Material of outer jacket</b>	PUR
<b>Without halogens as in EN 50267-2-3</b>	✓
<b>shielded</b>	✓
<b>welding spark proof</b>	✗
<b>Outer diameter of the cable</b>	6.2 mm
<b>Number of conductors</b>	4
<b>Cable design</b>	4 x 0.38 mm <sup>2</sup> (AWG 22)
<b>Conductor design</b>	19 x Ø 0.16 mm

**Picture**
**Drawing**


Typ/ type	Standard - Kontaktbelegung/ standard contact assignment	
	Polzahl/ number of poles	Farbkennung/ colour code
0985 342 106/* M (RSWTH 4D-342/* M, D-Codierung/ -coding)	4 	1 = gelb / yellow 2 = weiß / white 3 = orange 4 = blau / blue