



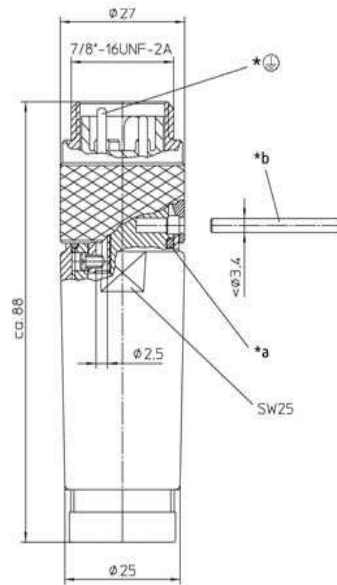
**Product information**  
**RSC 30 - RSC 50 - RSC 40/9**  
**11579**

<b>Name</b>	
RSC 30 - RSC 50	
	
Field attachable connector, 7/8" male connector, straight version, with threaded joint, assembling with screw terminals, 4 poles, screwed cable gland with PG 9 thread.	
<b>Delivery informations</b>	
<b>Availability</b>	available
<b>Product description</b>	
<b>Type</b>	RSC 40/9
<b>Order No.</b>	11579
<b>Description</b>	Field attachable connector, 7/8" male connector, straight version, with threaded joint, assembling with screw terminals, 4 poles, screwed cable gland with PG 9 thread.
<b>Number of contacts</b>	4
<b>Color of housing</b>	black
<b>Product characteristics</b>	Oil resistance
<b>Mechanical data</b>	
<b>Type of plug-in contact</b>	Male connector
<b>Design of housing</b>	straight
<b>Thread</b>	7/8"
<b>Design of electrical connection</b>	screw connection
<b>LED display present</b>	✘
<b>Screw joint for cable for external cable diameter</b>	6.0 mm ... 8.0 mm
<b>Screwed cable gland, connecting thread</b>	Pg9
<b>Environmental conditions</b>	
<b>Environmental temperature</b>	-40 °C ... 90 °C
<b>Degree of protection (IP), mounted</b>	IP67
<b>Pollution degree</b>	3
<b>Materials</b>	
<b>Housing material / Molded body</b>	PA
<b>Contact bearer material</b>	TPU, self-extinguishing
<b>Contact material</b>	CuZn
<b>Contact material - Surface refinement</b>	silver-plated and gold-plated
<b>Knurled screw / nut material</b>	Al anodized
<b>Sealing material</b>	NBR
<b>Electrical data</b>	
<b>Contact resistance</b>	≤ 5 mΩ
<b>Rated current In</b>	9 A at 40°C, UL and notice derating
<b>Nominal voltage</b>	240 V
<b>Rated voltage</b>	250 V
<b>Test voltage</b>	1.5 kV eff./60 s
<b>Insulation resistance</b>	> 1 GΩ
<b>Approvals</b>	
<b>Approvals</b>	UL
<b>RoHS 2002/95/EG compliant</b>	RoHS 2002/95/EG

The information published has been compiled as carefully as possible. It is subject to alteration without notice in technical as well as in price related/commercial respect.



Picture  
Drawing



- \*a O-Ring  
O-ring
- \*b Stift oder Schraubendreher als  
Montagehilfe  
pin or screwdriver as  
assembly tool
- \*Ⓢ Kontakt 1,5 voreilend  
contact 1.5 leading