

Screwdriver - SZF 1-0,6X3,5 - 1204517

Please be informed that the data shown in this PDF Document is generated from our Online Catalog. Please find the complete data in the user's documentation. Our General Terms of Use for Downloads are valid (<http://phoenixcontact.com/download>)



Actuation tool, for ST terminal blocks, also suitable for use as a bladed screwdriver, size: 0.6 x 3.5 x 100 mm, 2-component grip, with non-slip grip

Why buy this product

- In addition to its standard application, this screwdriver is also ideal for actuating ST ... and QTC ... modular terminal blocks

Key Commercial Data

Packing unit	10 STK
Minimum order quantity	10 STK
GTIN	 4 017918 018948
GTIN	4017918018948
Weight per Piece (excluding packing)	36.330 g
Custom tariff number	82054000
Country of origin	Czech Republic

Technical data

Dimensions

Length (b)	181 mm
Width (a)	26 mm
Blade thickness	0.6 mm
Blade width	3.5 mm
Blade height	100 mm
Wrench size	0 mm

General

Type	Bladed
Material	alloyed tool steel
Test standard	DIN/ISO 2380-1
Weight	34 g

Screwdriver - SZF 1-0,6X3,5 - 1204517

Technical data

Standards and Regulations

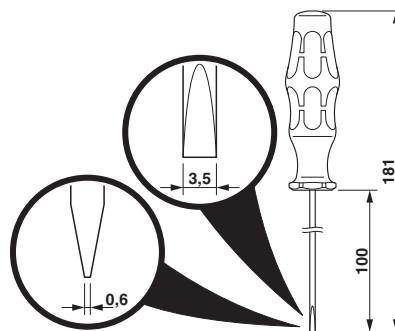
Test standard	DIN/ISO 2380-1
---------------	----------------

Drawings

Pictogram



Dimensional drawing



Classifications

eCl@ss

eCl@ss 4.0	21040401
eCl@ss 4.1	21040401
eCl@ss 5.0	21040401
eCl@ss 5.1	21040401
eCl@ss 6.0	21040401
eCl@ss 7.0	21040409
eCl@ss 8.0	21040407
eCl@ss 9.0	21040407

ETIM

ETIM 2.0	EC000158
ETIM 3.0	EC000158
ETIM 4.0	EC000158
ETIM 5.0	EC000158
ETIM 6.0	EC000158

UNSPSC

UNSPSC 6.01	27111701
UNSPSC 7.0901	27111701
UNSPSC 11	27111701
UNSPSC 12.01	27111701
UNSPSC 13.2	27111701

Screwdriver - SZF 1-0,6X3,5 - 1204517

Approvals

Approvals

Approvals

EAC

Ex Approvals

Approval details

EAC		EAC-Zulassung
-----	---	---------------

Phoenix Contact 2018 © - all rights reserved
<http://www.phoenixcontact.com>