

## Panel mounting frames - CUC-V14-F1ZNI-EM/R4F8 - 1413961


Please be informed that the data shown in this PDF Document is generated from our Online Catalog. Please find the complete data in the user's documentation. Our General Terms of Use for Downloads are valid (<http://phoenixcontact.com/download>)



RJ45 panel mounting frame, IP67, for push-pull interlocking, metal, for rectangular mounting cutout, with seal and mounting screws, incl. RJ45 insert with IDC cable connection



### Key Commercial Data

Packing unit	1 STK
GTIN	 4 055626 082196
GTIN	4055626082196
Weight per Piece (excluding packing)	46.600 g
Custom tariff number	85389099
Country of origin	Germany
Note	Made to Order (non-returnable)

### Technical data

#### Mechanical characteristics

Number of positions	8
Number of slots	1
Connection profile	RJ45
Locking type	Push Pull
Insertion/withdrawal cycles	≥ 750
Connection method	IDC connection
Connection cross section AWG	26 ... 22 (solid)
	26 ... 22 (stranded)
External cable diameter	4.5 mm ... 9 mm
Tightening torque, min.	0.5 Nm
Tightening torque max.	0.75 Nm
Screw thread	M3
Wire diameter	0.4 mm ... 0.65 mm

## Panel mounting frames - CUC-V14-F1ZNI-EM/R4F8 - 1413961

### Technical data

#### Mechanical characteristics

Wire diameter including insulation	0.8 mm ... 1.6 mm
Insulation resistance	> 500 MΩ (100 V DC)
Degree of protection	IP65/IP67
Design	RJ45, IP65/67, version 14

#### Ambient conditions

Ambient temperature (operation)	-10 °C ... 60 °C
Ambient temperature (assembly)	-5 °C ... 55 °C
Ambient temperature (storage/transport)	-40 °C ... 70 °C

#### Material data

Flammability rating according to UL 94	V0
Housing material	Zinc die-cast
Housing surface material	Nickel-plated
Contact carrier material	PC
Contact material	CuSn
Contact surface material	Gold over nickel
Material	Metal
Seal material	NBR

#### Electrical characteristics

Number of positions	8
GRP transmission properties	CAT6 <sub>A</sub>
Transmission speed	10 Gbps
Frequency range	500 MHz
Degree of pollution	2
Rated voltage (III/3)	1000 V DC

#### Standards and Regulations

Flammability rating according to UL 94	V0
--	----

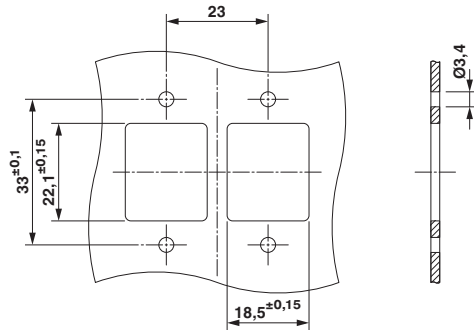
#### Environmental Product Compliance

China RoHS	Environmentally Friendly Use Period = 50
	For details about hazardous substances go to tab "Downloads", Category "Manufacturer's declaration"

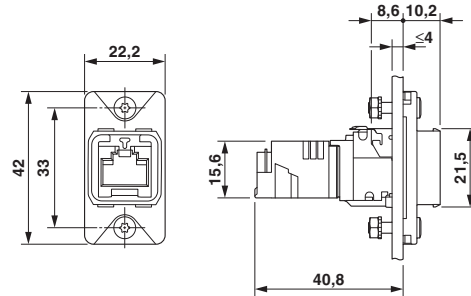
### Drawings

# Panel mounting frames - CUC-V14-F1ZNI-EM/R4F8 - 1413961

Drilling diagram



Dimensional drawing



## Approvals

Approvals

Approvals

cULus Recognized

Ex Approvals

## Approval details

cULus Recognized		<a href="http://database.ul.com/cgi-bin/XYV/template/LISEXT/1FRAME/index.htm">http://database.ul.com/cgi-bin/XYV/template/LISEXT/1FRAME/index.htm</a> E335024-20160727
Nominal current I <sub>N</sub>	0.175 A	
Nominal voltage U <sub>N</sub>	56.5 V	

Phoenix Contact 2017 © - all rights reserved  
<http://www.phoenixcontact.com>