

## Product information

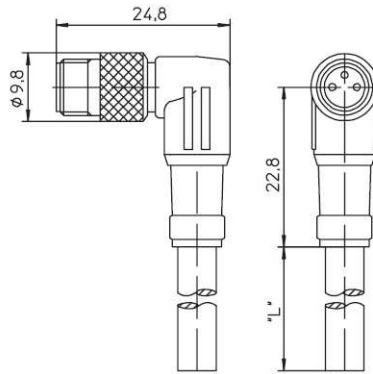
### RSMWV - RSMWV 4-225/5 M

Name	
	RSMWV
	
	Cordsets, single-ended, for actuator/sensors and distribution boxes, M8 male connector, angled, with self-locking threaded joint and molded cable, 4 poles, PUR jacket, halogen free, black, 5 meters.
<b>Delivery informations</b>	
Availability	available
<b>Product description</b>	
Type	RSMWV 4-225/5 M
Order No.	auf Anfrage
Description	Cordsets, single-ended, for actuator/sensors and distribution boxes, M8 male connector, angled, with self-locking threaded joint and molded cable, 4 poles, PUR jacket, halogen free, black, 5 meters.
Note	The application of these products in harsh environments should always be checked before use.
Number of contacts	4
Color of housing	black translucent
Product characteristics	Vibration resistance, Drag chains, Oil resistance
<b>Classification</b>	
Belden brand	Lumberg-Automation
<b>Mechanical data</b>	
Type of plug-in contact	Male connector
Design of housing	angled
Thread	M8
Design of electrical connection	connector M8
LED display present	✘
<b>Environmental conditions</b>	
Environmental temperature	-40 °C ... 90 °C
Degree of protection (IP), mounted	IP67
Pollution degree	3
<b>Materials</b>	
Housing material / Molded body	TPU
Contact bearer material	PA/TPU
Contact material	CuZn
Contact material - Surface refinement	pre-nickeled and 0.8 microns gold-plated
Knurled screw / nut material	CuZn, nickel-plated
<b>Electrical data</b>	
Contact resistance	≤ 5 mΩ
Rated current I <sub>n</sub>	4 A at 40°C
Nominal voltage	30 V
Rated voltage	36 V
Test voltage	0.8 kV eff./60 s
Insulation resistance	> 1 GΩ
<b>Approvals</b>	
Approvals	UL
<b>Cable</b>	
Cable length	5 m
Cable number	225
Cable description	Cable for sensors and actuators

Color of jacket	black
Material of outer jacket	PUR
Without halogens as in EN 50267-2-3	✓
shielded	✗
welding spark proof	✗
Outer diameter of the cable	4.7 mm
Number of conductors	4
Cable design	4 x 0.34 mm <sup>2</sup>
Conductor design	43 x 0.10 mm
Flame resistant according to standard	yes

**Picture**

Drawing



**4-polig  
4 poles**



- 1 = braun / brown
- 2 = weiß / white
- 3 = blau / blue
- 4 = schwarz / black