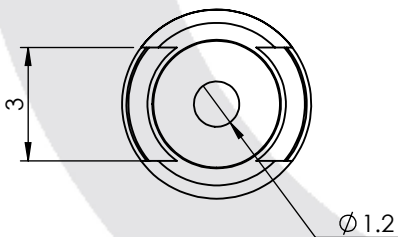
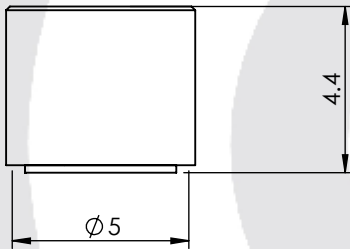
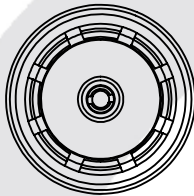


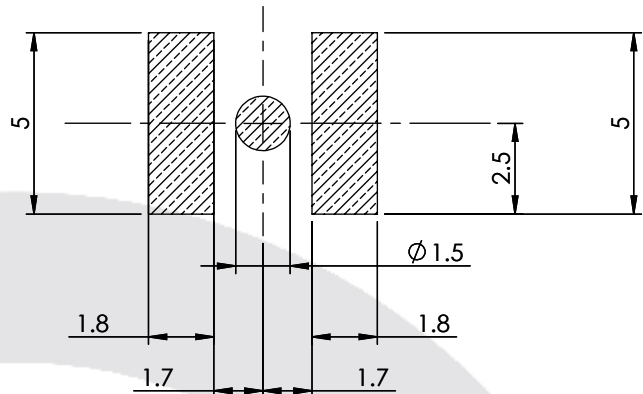
## 0.4/2.5 MINIATURE SURFACE MOUNT PCB JACK 75 Ohm 18-483-D6



images for illustration purposes only



### PCB Footprint



### Environmental Specification

Operating Temp: -55 to +155 Deg C.

IP Rating (Mated): IP30

### Electrical Specification Mechanical Specification

Impedance: 75 Ohm

Contact Retention: 5 N min

Frequency: 0-3 GHz

Cable Retention: N/A N min

Dielectric W/V: 400 Veff

Mating cycles: 250

Insulation res: 1000 M-Ohm Weight: 0.38 g

### Connector Interface




image for illustration purposes only

### NOTE :

WHEN MATED WITH 18-403-D6 TOTAL BOARD TO BOARD HEIGHT IS 5.0mm

4	OUTER CONTACT	PHOS. BRONZE	GOLD
3	INSULATOR	PTFE	N/A
2	CENTRE CONTACT	BeCu	GOLD
1	BODY	BRASS	NICKEL
ITEM	DESCRIPTION	MATERIAL	PLATING

<b>A4</b>	SHEET 1 OF 1	 DIMENSIONS ARE IN MILLIMETRES		
REVISION :	A00	NAME	SIGNATURE	DATE
ISSUE :	1	DRAWN	IG	03/10/2013
		CHK'D	GE	04/10/2013
		APPV'D		
6-8 COLNE ROAD, TWICKENHAM, MIDDLESEX, TW1 4JR				
THE INFORMATION IS GIVEN AS AN INDICATION ONLY AND IS SUBJECT TO CHANGE WITHOUT NOTICE. IN THE CONTINUAL GOAL TO IMPROVE OUR PRODUCTS, WE RESERVE THE RIGHT TO MAKE ANY MODIFICATIONS NECESSARY WITHOUT PRIOR NOTICE.				