

Electronic housing - UM-PRO PROFILE - 2200148

Please be informed that the data shown in this PDF Document is generated from our Online Catalog. Please find the complete data in the user's documentation. Our General Terms of Use for Downloads are valid (<http://phoenixcontact.com/download>)

Panel mounting base, Lower part, color: light gray, length: 1000 mm, height: 40 mm, Note: required profile length = PCB length - 16.2 mm



Why buy this product

- Item is from the UM-BASIC/UM-PRO product range
- PVC press-drawn section (UM-BASIC) or PA (UM-PRO)
- Available in individual lengths
- Available in the overall widths of 72 mm, 108 mm, and 122 mm
- Variety of connection technologies
- Can be mounted on the DIN rail

Key Commercial Data

Packing unit	1 STK
Custom tariff number	39169010
Country of origin	Germany
Note	Made to Order (non-returnable)

Technical data

General

Housing type	Panel mounting base
Housing material	Polyamide
Color (RAL)	light gray

Ambient conditions

Ambient temperature (operation)	-40 °C ... 100 °C (depending on power dissipation)
---------------------------------	--

Dimensions

Length	1000 mm
Constructional height	40 mm
Depth	127.5 mm

Technical data

Electronic housing - UM-PRO PROFILE - 2200148

Technical data

Technical data

Number of positions	999
---------------------	-----

Standards and Regulations

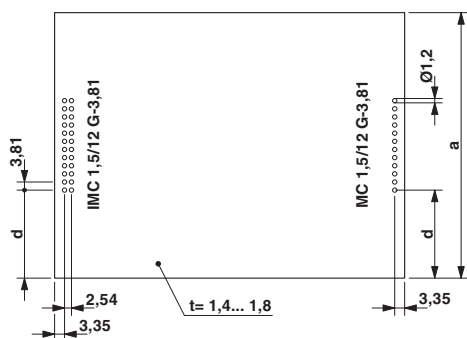
Flammability rating according to UL 94	V0
--	----

Environmental Product Compliance

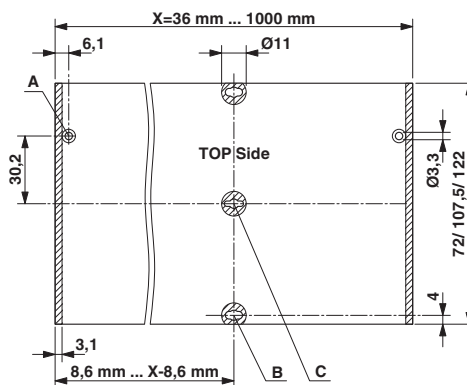
China RoHS	Environmentally friendly use period: unlimited = EFUP-e
	No hazardous substances above threshold values

Drawings

Drilling diagram



Dimensional drawing

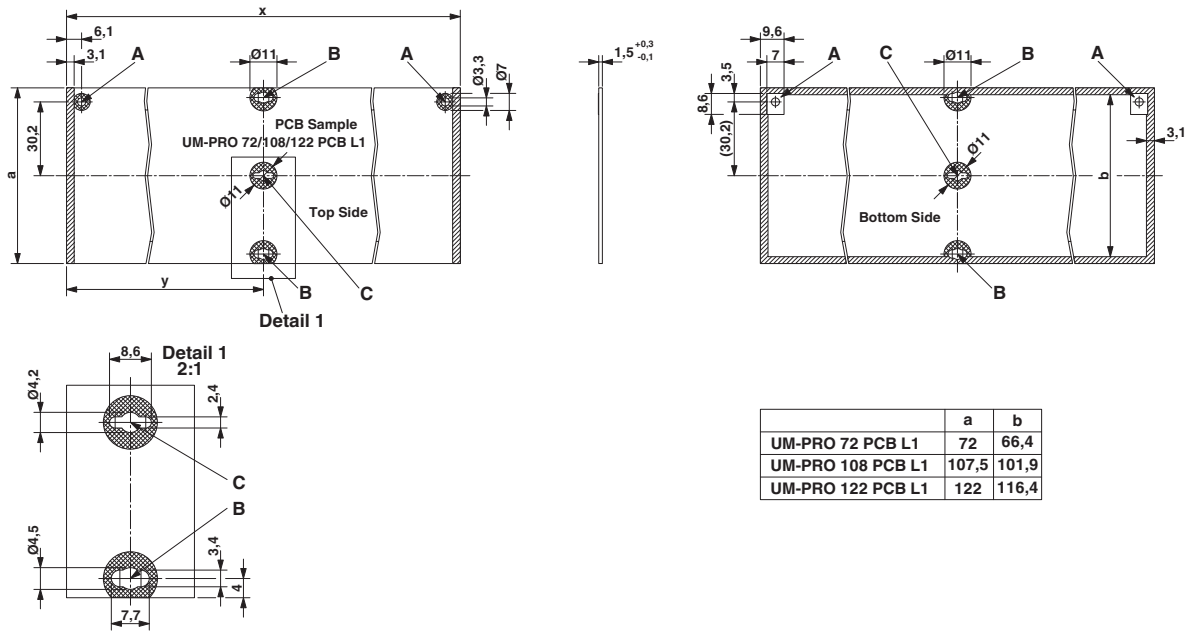


UM-PRO 72: Dimension a = 72 mm; Dimension d = 15.1 mm
 UM-PRO 108: Dimension a = 107.5 mm; Dimension d = 32.8 mm
 UM-PRO 122: Dimension a = 122 mm; Dimension d = 40 mm

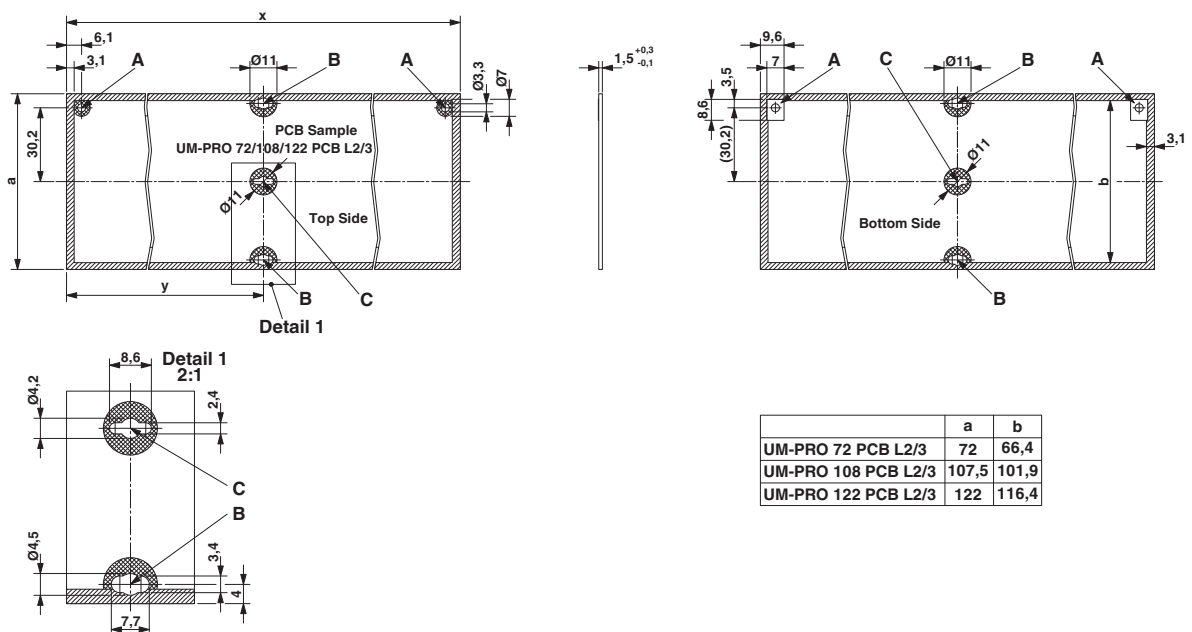
A=drill hole for optional PE contact; B=for optional S-Lock PCB lock in upper level; C=for optional C-Lock PCB lock (all levels)

Electronic housing - UM-PRO PROFILE - 2200148

Dimensional drawing



Dimensional drawing



Electronic housing - UM-PRO PROFILE - 2200148

Classifications

eCl@ss

eCl@ss 4.0	27180401
eCl@ss 4.1	27180401
eCl@ss 5.0	27180506
eCl@ss 5.1	27180506
eCl@ss 6.0	27400501
eCl@ss 7.0	27182701
eCl@ss 8.0	27182701
eCl@ss 9.0	27182701

ETIM

ETIM 2.0	EC001031
ETIM 3.0	EC001031
ETIM 4.0	EC000386
ETIM 5.0	EC002779
ETIM 6.0	EC002779

UNSPSC

UNSPSC 6.01	31261501
UNSPSC 7.0901	31261501
UNSPSC 11	31261501
UNSPSC 12.01	31261501
UNSPSC 13.2	31261501

Approvals

Approvals

Approvals

UL Recognized

Ex Approvals

Approval details

UL Recognized		http://database.ul.com/cgi-bin/XYV/template/LISEXT/1FRAME/index.htm	FILE E 240868
---------------	--	---	---------------

Accessories

Accessories

Electronic housing - UM-PRO PROFILE - 2200148

Accessories

Screwdriver tools

Screwdriver - SZF 0-0,4X2,5 - 1204504



Actuation tool, for ST terminal blocks, also suitable for use as a bladed screwdriver, size: 0.4 x 2.5 x 75 mm, 2-component grip, with non-slip grip

Necessary add-on products

Components of electronic housing - UM-PRO 72 COVER-L BK - 2200151



Lateral element (left) with mounting foot for DIN rails for UM-PRO profiles with a PCB width of 72 mm

Components of electronic housing - UM-PRO 72 COVER-R BK - 2200152



Lateral element (right) with mounting foot for DIN rails for profiles for PCB width 72 mm

Components of electronic housing - UM-PRO 108 COVER-L BK - 2200155



Lateral element (left) with mounting foot for DIN rails for UM-PRO profiles with a PCB width of 108 mm

Components of electronic housing - UM-PRO 108 COVER-R BK - 2200156



Lateral element (right) with mounting foot for DIN rails UM-PRO profiles for PCB width of 108 mm

Electronic housing - UM-PRO PROFILE - 2200148

Accessories

Components of electronic housing - UM-PRO 122 COVER-L BK - 2200158

Lateral element (left) with mounting foot for DIN rails for UM-PRO profiles with a PCB width of 122 mm



Components of electronic housing - UM-PRO 122 COVER-R BK - 2200159

Lateral element (right) with mounting foot for DIN rails for UM-PRO profiles for PCB the width of 108 mm



Electronic housing - UM-PRO A/U N 73 CM - 2200310



Panel mounting base, Cover, color: transparent, width: 73 mm, length: 1000 mm, height: 24 mm, Note: max. length of the cover = PCB length = 19 mm

Electronic housing - UM-PRO A/U 73 CM - 2200311



Panel mounting base, Cover, color: transparent, width: 73 mm, length: 1000 mm, height: 63.2 mm, Note: max. length of the cover = PCB length = 19 mm

Electronic housing - UM-PRO A/U 92 CM - 2200312



Panel mounting base, Cover, color: transparent, width: 92 mm, length: 1000 mm, height: 34 mm, Note: max. length of the cover = PCB length = 19 mm

Additional products

Electronic housing - UM-PRO PROFILE - 2200148

Accessories

Components of electronic housing - UM-PRO PE CONTACT L1 - 2200161



PE contact for UM-PRO panel mounting base for connecting the PCB to the DIN rail at level 1

Components of electronic housing - UM-PRO PE CONTACT L2 - 2200162



PE contact for UM-PRO panel mounting base for connecting the PCB to the DIN rail at level 2

Components of electronic housing - UM-PRO PE CONTACT L3 - 2200163



PE contact for UM-PRO panel mounting base for connecting the PCB to the DIN rail at level 3

Components of electronic housing - UM-PRO PCB S-LOCK BK - 2200168



Locking element for locking the top PCB onto UM-PRO housing close to the edge

Components of electronic housing - UM-PRO PCB C-LOCK L1 BK - 2200164



Locking element for locking the PCB onto UM-PRO housing at level 1

Electronic housing - UM-PRO PROFILE - 2200148

Accessories

Components of electronic housing - UM-PRO PCB C-LOCK L2 BK - 2200165



Locking element for locking the PCB onto UM-PRO housing at level 2

Components of electronic housing - UM-PRO PCB C-LOCK L3 BK - 2200166



Locking element for locking the PCB onto UM-PRO housing at level 3

Components of electronic housing - UM-PRO MOUNT BK - 2200171

Fuse element for mounting UM-PRO panel mounting bases directly onto the mounting plate



Components of electronic housing - UM-PRO 72 FOOT BK - 2200153

Mounting foot for 72 mm UM-PRO profiles for mounting on DIN rails



Components of electronic housing - UM-PRO 108 FOOT BK - 2200157

Mounting foot for 108 mm UM-PRO profiles for mounting on DIN rails



Electronic housing - UM-PRO PROFILE - 2200148

Accessories

Components of electronic housing - UM-PRO 122 FOOT BK - 2200160

Mounting foot for 122 mm UM-PRO profiles for mounting on DIN rails



Phoenix Contact 2017 © - all rights reserved
<http://www.phoenixcontact.com>