

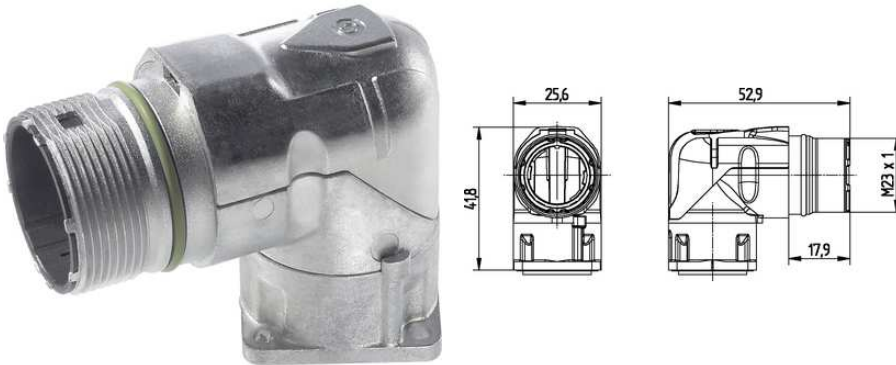
EPIC® SIGNAL M23 A3

Circular connector for servo cables and encoders

EPIC® M23 panel-mount base angled, swivel

Info

Rotatable with clearly defined rest positions



Interference signals



Robust



Good chemical resistance



Wind Energy



Industrial machinery and plant engineering

Benefits

Housing is very flexible - cable connectors with wide clamping range, device connectors for assembling the inserts on the front and rear

Permanent vibration protection

Application range

Plant construction

Servo drives and servo assemblies

Measurement, control and regulation technology

Last Update (09.05.2017)

©2017 Lapp Group - Technical changes reserved

Product Management www.lappkabel.de

You can find the current technical data in the corresponding data sheet.

PN 0456 / 02_03.16

EPIC® SIGNAL M23 A3**Technical Data**

Classification:	ETIM 5.0 Class-ID: EC000437 ETIM 5.0 Class-Description: Housing for industrial connectors
Material:	Housing: Nickel-plated zinc die-casting Seal: FPM
Protection rating:	IP 65
VDE-tested:	Certified production control: VDE reg. no. C24 (according to EN 61984, SELV according to DIN VDE 0100-410 has to be guaranteed) UL file number: E249137
Temperature range:	-25°C to +125°C

Note

Photographs are not to scale and do not represent detailed images of the respective products.
Prices are net prices without VAT and surcharges. Sale to business customers only.

EPIC® SIGNAL M23 A3

Article number	Article	Coding	Fastening type
Type M23 A3 flush-type plug, angled, rotatable, front wall mounting			
24420055	M23 A3	black (N)	Ø 2.7 mm (4x)
24420054	M23 A3	black (N)	Ø 2.7 mm (4x)

Last Update (09.05.2017)

©2017 Lapp Group - Technical changes reserved

Product Management www.lappkabel.de

You can find the current technical data in the corresponding data sheet.

PN 0456 / 02_03.16