

Electronic module - CM200-LG/H 55/BO/DB/GH BK - 2941853

Please be informed that the data shown in this PDF Document is generated from our Online Catalog. Please find the complete data in the user's documentation. Our General Terms of Use for Downloads are valid (<http://phoenixcontact.com/download>)



Complete housing with vents, Cross connection: without bus connector, color: black, width: 200 mm, length: 149 mm, height: 165 mm, number of positions cross connector: not relevant

Why buy this product

- Rugged housing technology
- Easy snap-on mounting on symmetrical DIN rails according to EN 60715
- Flexible accommodation of different connection elements (from high-position connectors to electronic PCBs)
- Shock and contamination-proof accommodation of electronic components

Key Commercial Data

Packing unit	1 STK
GTIN	 4 017918 107703
GTIN	4017918107703
Weight per Piece (excluding packing)	860.400 g
Custom tariff number	85369010
Country of origin	Germany

Technical data

General

Housing type	Complete housing
Housing material	Polycarbonate fiber reinforced
Color (RAL)	black (9005)

Ambient conditions

Ambient temperature (operation)	-40 °C ... 105 °C (depending on power dissipation)
---------------------------------	--

Dimensions

Length	149 mm
Constructional height	165 mm

Electronic module - CM200-LG/H 55/BO/DB/GH BK - 2941853

Technical data

Dimensions

Width	200 mm
Depth	149 mm

Technical data

Power dissipation without gap	160 W
Power dissipation with 20 mm gap	200 W

Standards and Regulations

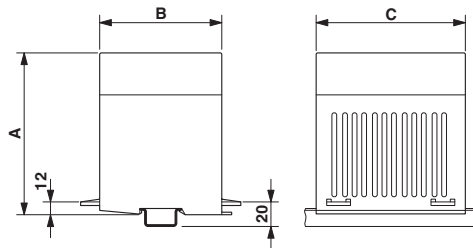
Flammability rating according to UL 94	V0
--	----

Environmental Product Compliance

China RoHS	Environmentally friendly use period: unlimited = EFUP-e
	No hazardous substances above threshold values

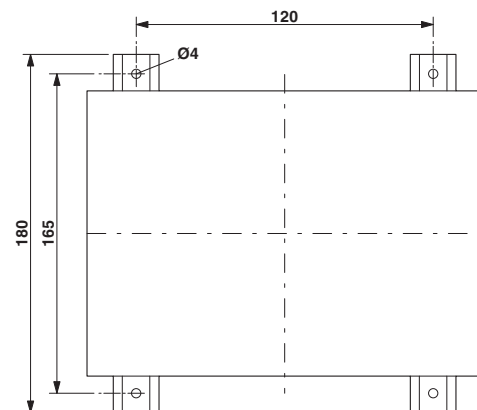
Drawings

Dimensional drawing



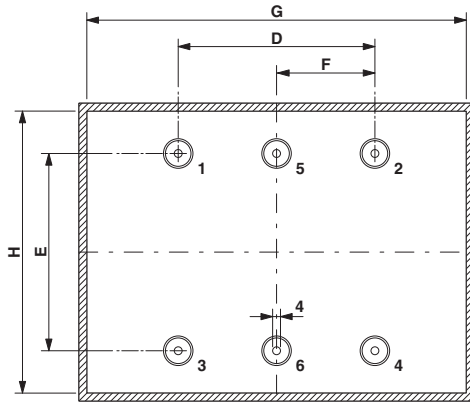
Dimension A: 165 mm; dimension B: 149 mm; dimension C: 200 mm

Dimensional drawing



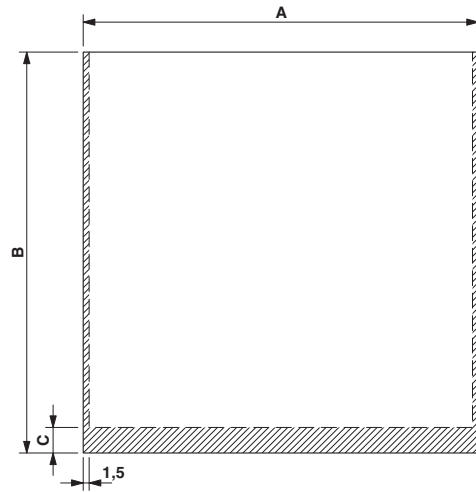
Electronic module - CM200-LG/H 55/BO/DB/GH BK - 2941853

Dimensional drawing



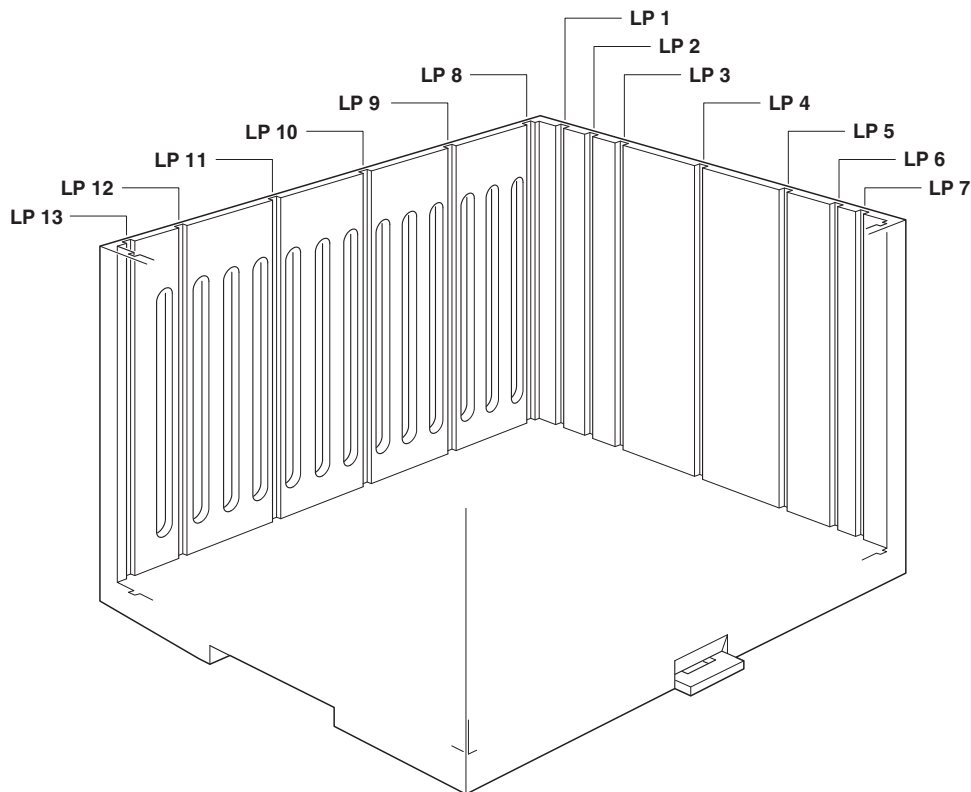
Dimension D: 100.0 mm; E: 100.0 mm; F: 50.0; G: 190.0 mm; H: 138.0 mm
Spacer pins 1 - 6: Height 20 mm; \varnothing 4 mm

Dimensional drawing



PCB 8, 13: Dimension A: 141.0 mm; B: 140.5 mm; C: 0 mm

Schematic diagram



Electronic module - CM200-LG/H 55/BO/DB/GH BK - 2941853

Classifications

eCl@ss

eCl@ss 4.0	27180401
eCl@ss 4.1	27180401
eCl@ss 5.0	27180506
eCl@ss 5.1	27180506
eCl@ss 6.0	27180802
eCl@ss 7.0	27182702
eCl@ss 8.0	27182702
eCl@ss 9.0	27182702

ETIM

ETIM 2.0	EC001031
ETIM 3.0	EC001031
ETIM 4.0	EC001031
ETIM 5.0	EC001031
ETIM 6.0	EC001031

UNSPSC

UNSPSC 6.01	31261501
UNSPSC 7.0901	31261501
UNSPSC 11	31261501
UNSPSC 12.01	31261501
UNSPSC 13.2	31261501