

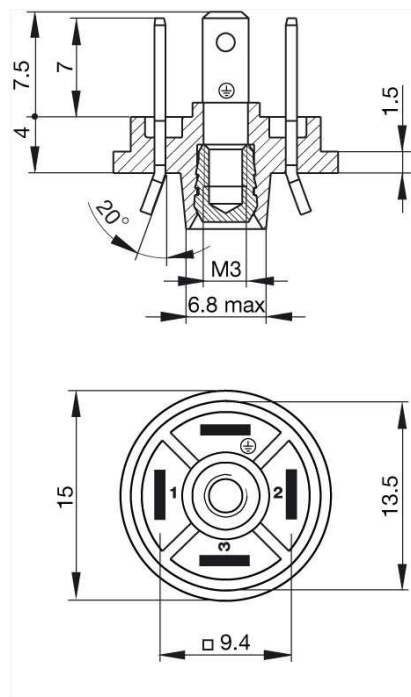


Product Information
GSSR 300 Schwarz/Black
933 114-100

Product description

Description	appliance connector with central nut, version for molding or gasket
Type	GSSR 300 schwarz/black
Order No.	933 114-100
Number of contacts	3 + PE
Standard	industrial standard (9.4 mm)
Housing Color	black
Construction type	C

Drawing



Technical data

Rated voltage	AC/DC 250 V
Rated current	4 A
Contact resistance	≤ 4 mOhm
Type of termination	solder
Mounting	screw

Material

Contact surface material	Sn
Contact bearer material	PA
Housing material	PA

Environmental conditions

The information published has been compiled as carefully as possible. It is subject to alteration without notice in technical as well as in price related/commercial respect.



Protection class (IEC 60) 5
Pollution severity 3
Temperature range -40 °C to +125 °C

Inflammability class

Housing 94 HB
Contact bearer 94 V-2

Approvals

UR UR
VDE VDE
SEV SEV
CSA CSA

Packing unit

Packaging unit 200 pieces