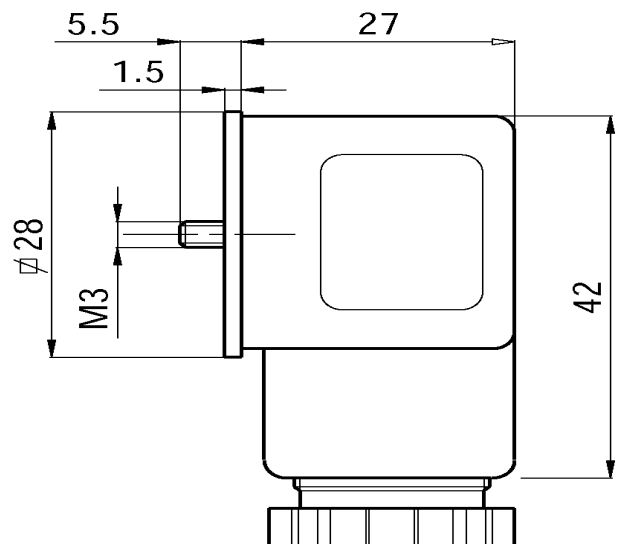
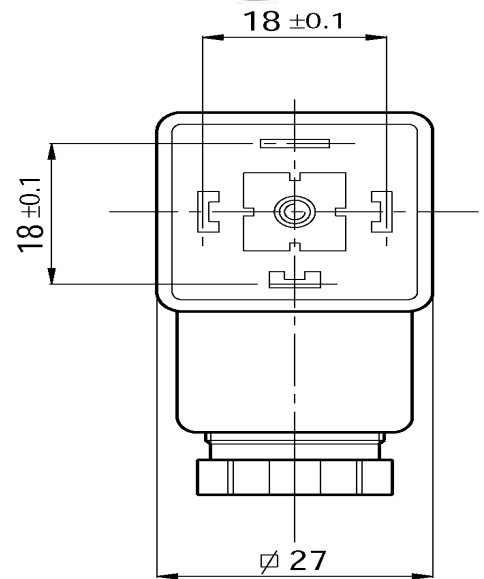


## GDA Connector A

Form A □ 3 or 4 - poles

Contact spacing	18mm
Rated Voltage	250VAC / 300VDC
Operating current	10A
Max Current	16A
Max Wire gauge	1.5mm
Cable gland	PG9 / PG11
Cable diameter	6 - 8mm / 8 - 10mm
Protection Class	IP 65 (EN 60529)
Housing Material	PA +30% GF
Contact Material	CuZn (Ag)
Gasket Material	Thermoplastic rubber
Screw	M3
Temperature range	-40deg C to +125deg C



### Variants Available

Black	2+PE	PG9
Grey	2+PE	PG9
Black	3+PE	PG9
Grey	3+PE	PG9
Black	2+PE	PG11
Grey	2+PE	PG11
Black	3+PE	PG11
Grey	3+PE	PG11