

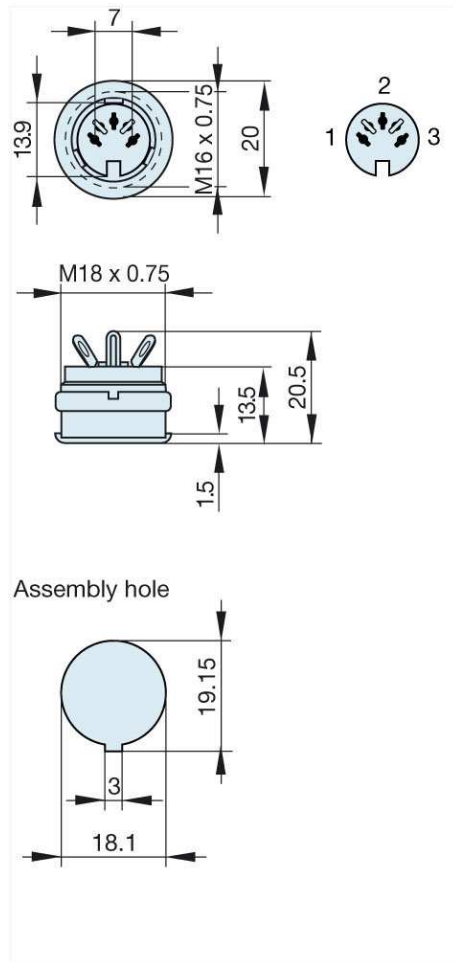


Product information
MAB 3100 S schwarz/black
930 303-500

Name	
MAB 3100 S schwarz/black	
	
panel-mounted socket with locking screw; solder joint; not shielded	
Delivery informations	
Availability	available
Product description	
Type	MAB 3100 S schwarz/black
Order No.	930 303-500
Type of contact	female
Colour	black
Description	panel-mounted socket with locking screw; solder joint; not shielded
Number of contacts	3
Conductor size	$\leq 0.34 \text{ mm}^2$
Technical data	
LF output "Phone"	EN 60 130-09
Pole arrangement DIN	DIN 41 524
Rated current	4 A
Rated voltage	AC/DC 34 V
Type of termination	solder
Material	
Contact material (socket)	brass
Contact surface material	tin plated
Contact bearer material	PA 66/UL standard 94V-2
Housing material	PE
Environmental conditions	
Protection class (IEC 60529)	IP 30
Temperature range	-20 °C to +60 °C

The information published has been compiled as carefully as possible. It is subject to alteration without notice in technical as well as in price related/commercial respect.

Picture
Drawing



The information published has been compiled as carefully as possible. It is subject to alteration without notice in technical as well as in price related/commercial respect.