




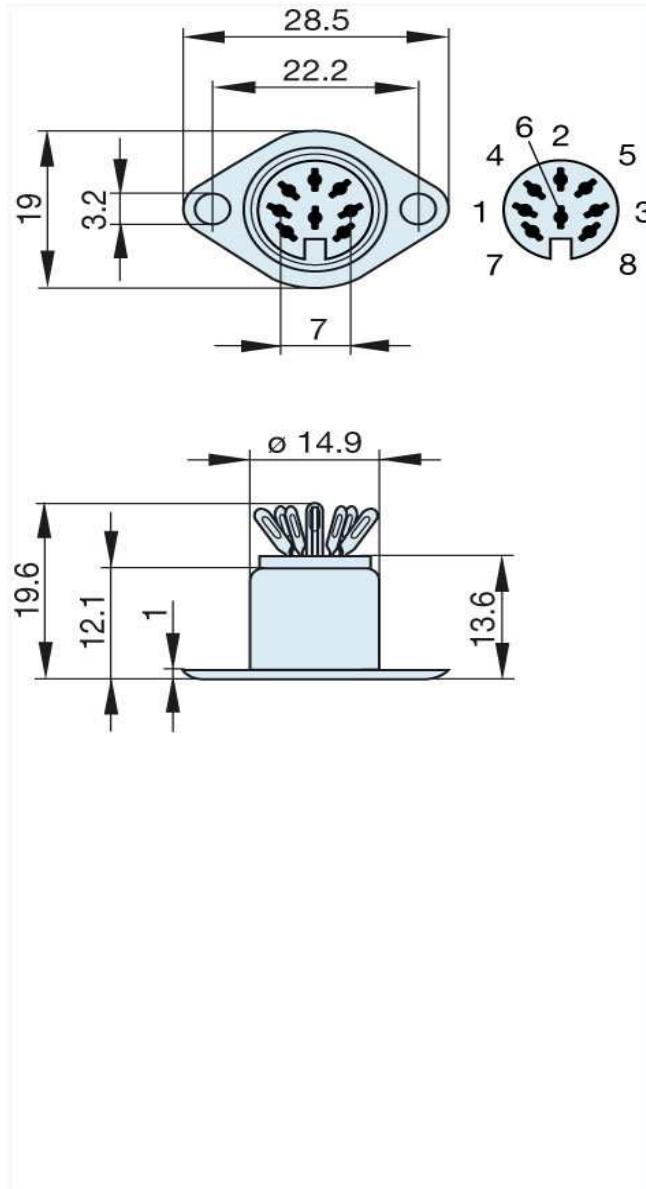
Product information

MAB 8 S

930 345-200

| | |
|---|--|
| Name | |
| MAB 8 S | |
|  | |
| panel-mounted socket with flange; solder joint | |
| Delivery informations | |
| Availability | available |
| Product description | |
| Type | MAB 8 S |
| Order No. | 930 345-200 |
| Type of contact | female |
| Description | panel-mounted socket with flange; solder joint |
| Number of contacts | 8 |
| Conductor size | $\leq 0.34 \text{ mm}^2$ |
| Technical data | |
| LF output "Phone" | EN 60 130-09 |
| Pole arrangement DIN | DIN 41 524 (sockets 1-5) |
| Rated current | 4 A |
| Rated voltage | AC/DC 34 V |
| Type of termination | solder |
| Material | |
| Contact material (socket) | brass |
| Contact surface material | tin plated |
| Contact bearer material | PA 66/UL standard 94V-2 |
| Housing material | steel, nickel-plated |
| Environmental conditions | |
| Protection class (IEC 60529) | IP 30 |
| Temperature range | -20 °C to +60 °C |

Picture
Drawing



The information published has been compiled as carefully as possible. It is subject to alteration without notice in technical as well as in price related/commercial respect.