




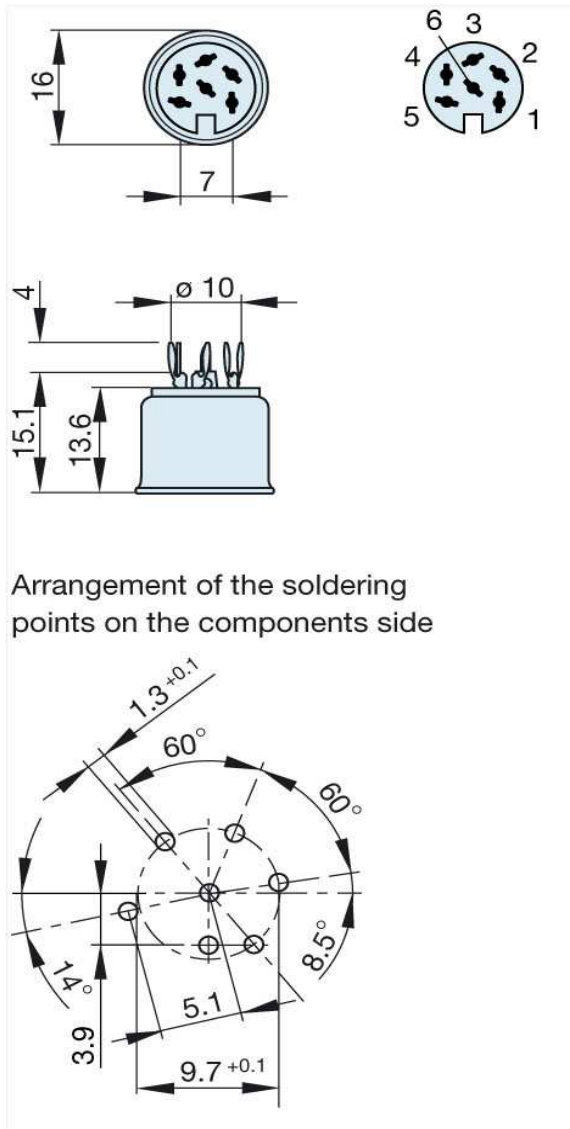
Product information

MAB 6 V

930 812-200

Name	
MAB 6 V	
	
panel-mounted socket for PCBs; plug-in direction parallel to the PCB	
Delivery informations	
Availability	available
Product description	
Type	MAB 6 V
Order No.	930 812-200
Type of contact	female
Description	panel-mounted socket for PCBs; plug-in direction parallel to the PCB
Number of contacts	6
Conductor size	$\leq 0.34 \text{ mm}^2$
Technical data	
LF output "Phone"	EN 60 130-09
Pole arrangement DIN	DIN 45 322
Rated current	4 A
Rated voltage	AC/DC 34 V
Type of termination	solder
Material	
Contact material (socket)	brass
Contact surface material	tin plated
Contact bearer material	PA 66/UL standard 94V-2
Housing material	steel, nickel-plated
Environmental conditions	
Protection class (IEC 60529)	IP 30
Temperature range	-20 °C to +60 °C

Picture
Drawing



Arrangement of the soldering points on the components side