


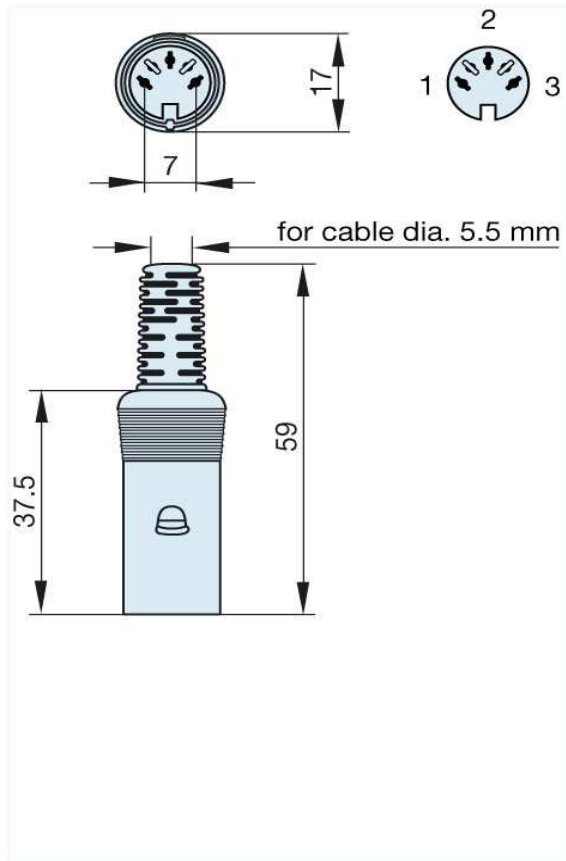


Product information
MAK 30 S UM grau/grey
931 080-117

Name	
MAK 30 S UM grau/grey	
	
socket with insulated handle; solder joint	
Delivery informations	
Availability	available
Product description	
Type	MAK 30 S UM grau/grey
Order No.	931 080-117
Type of contact	female
Description	socket with insulated handle; solder joint
Housing Color	grey
Number of contacts	3
Conductor size	$\leq 0.34 \text{ mm}^2$
Technical data	
LF output "Phone"	EN 60 130-09
Pole arrangement DIN	DIN 41 524
Rated current	4 A
Rated voltage	AC/DC 34 V
Cable diameter	5.5 mm
Type of termination	solder
Material	
Contact material (socket)	brass
Contact surface material	tin plated
Contact bearer material	PA 66/UL standard 94V-2
Housing material	PE
Environmental conditions	
Protection class (IEC 60529)	IP 30
Temperature range	-20 °C to +60 °C
Scope of delivery and accessories	
Packaging	industry package, box; individual parts not assembled, sorted

The information published has been compiled as carefully as possible. It is subject to alteration without notice in technical as well as in price related/commercial respect.

Picture
Drawing



The information published has been compiled as carefully as possible. It is subject to alteration without notice in technical as well as in price related/commercial respect.