
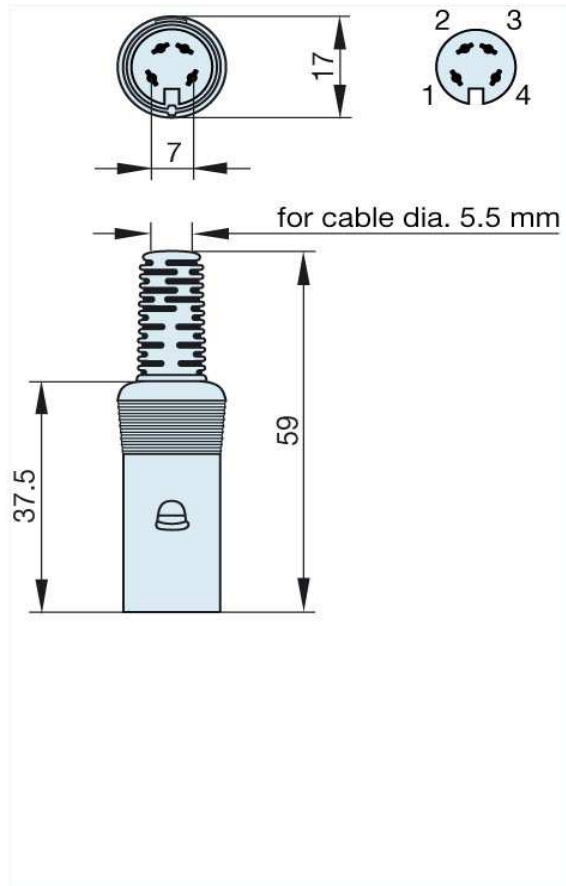




**Product information**  
**MAK 40 UM grau/grey**  
**931 086-117**

<b>Name</b>	
MAK 40 UM grau/grey	
	
socket with insulated handle; solder joint	
<b>Delivery informations</b>	
<b>Availability</b>	available
<b>Product description</b>	
<b>Type</b>	MAK 40 UM grau/grey
<b>Order No.</b>	931 086-117
<b>Type of contact</b>	female
<b>Description</b>	socket with insulated handle; solder joint
<b>Housing Color</b>	grey
<b>Number of contacts</b>	4
<b>Conductor size</b>	$\leq 0.34 \text{ mm}^2$
<b>Technical data</b>	
<b>LF output "Phone"</b>	EN 60 130-09
<b>Rated current</b>	4 A
<b>Rated voltage</b>	AC/DC 34 V
<b>Cable diameter</b>	5.5 mm
<b>Type of termination</b>	solder
<b>Material</b>	
<b>Contact material (socket)</b>	brass
<b>Contact surface material</b>	tin plated
<b>Contact bearer material</b>	PA 66/UL standard 94V-2
<b>Housing material</b>	PE
<b>Environmental conditions</b>	
<b>Protection class (IEC 60529)</b>	IP 30
<b>Temperature range</b>	-20 °C to +60 °C
<b>Scope of delivery and accessories</b>	
<b>Packaging</b>	industry package, box; individual parts not assembled, sorted

Picture  
Drawing



The information published has been compiled as carefully as possible. It is subject to alteration without notice in technical as well as in price related/commercial respect.