


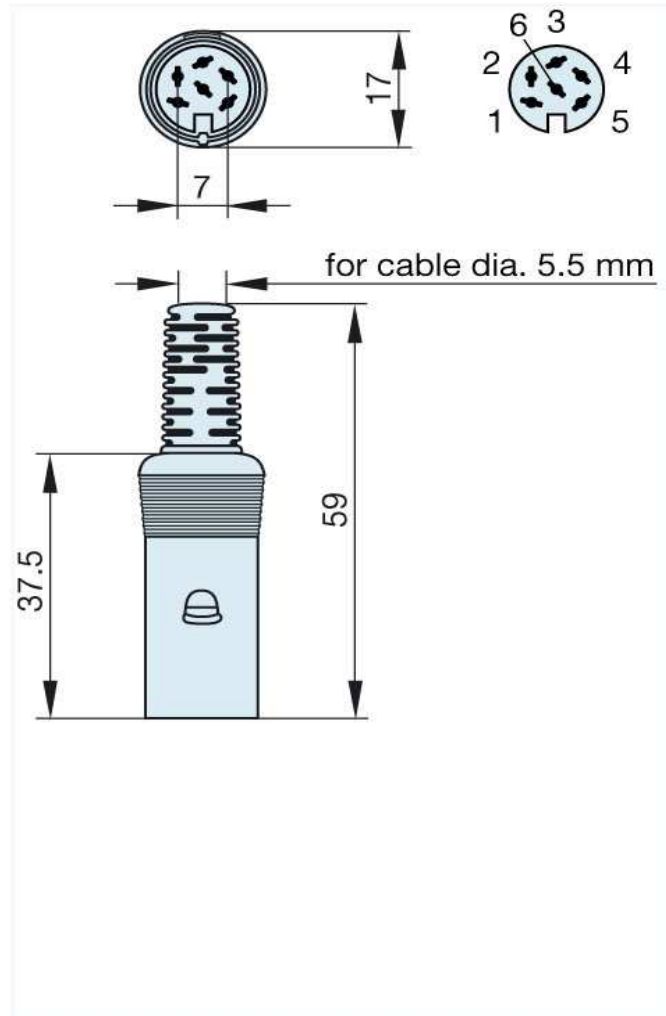


Product information
MAK 60 UM schwarz/black
931 100-100

Name	
MAK 60 UM schwarz/black	
	
socket with insulated handle; solder joint	
Delivery informations	
Availability	available
Product description	
Type	MAK 60 UM schwarz/black
Order No.	931 100-100
Type of contact	female
Description	socket with insulated handle; solder joint
Housing Color	black
Number of contacts	6
Conductor size	<= 0.34 mm ²
Technical data	
LF output "Phone"	EN 60 130-09
Pole arrangement DIN	DIN 45 322
Rated current	4 A
Rated voltage	AC/DC 34 V
Cable diameter	5.5 mm
Type of termination	solder
Material	
Contact material (socket)	brass
Contact surface material	tin plated
Contact bearer material	PA 66/UL standard 94V-2
Housing material	PE
Environmental conditions	
Protection class (IEC 60529)	IP 30
Temperature range	-20 °C to +60 °C
Scope of delivery and accessories	
Packaging	industry package, box; individual parts not assembled, sorted

The information published has been compiled as carefully as possible. It is subject to alteration without notice in technical as well as in price related/commercial respect.

Picture
Drawing



The information published has been compiled as carefully as possible. It is subject to alteration without notice in technical as well as in price related/commercial respect.