

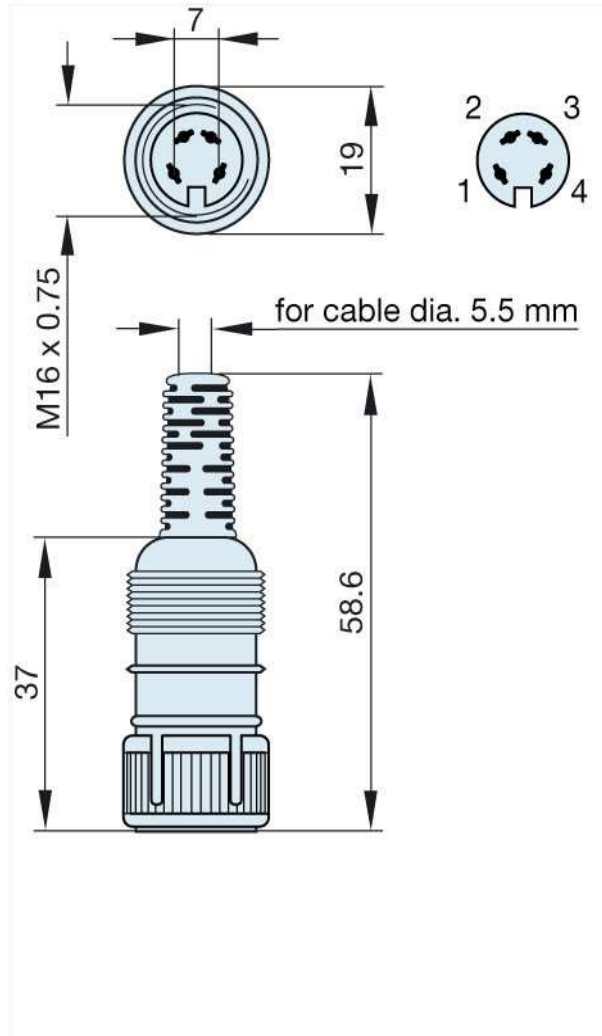


**Product information**  
**MAK 4100 UM schwarz/black**  
**931 175-100**

<b>Name</b>	
MAK 4100 UM schwarz/black	
	
socket with locking screw; solder joint	
<b>Delivery informations</b>	
<b>Availability</b>	available
<b>Product description</b>	
<b>Type</b>	MAK 4100 UM schwarz/black
<b>Order No.</b>	931 175-100
<b>Type of contact</b>	female
<b>Description</b>	socket with locking screw; solder joint
<b>Housing Color</b>	black
<b>Number of contacts</b>	4
<b>Conductor size</b>	<= 0.34 mm <sup>2</sup>
<b>Technical data</b>	
<b>LF output "Phone"</b>	EN 60 130-09
<b>Rated current</b>	4 A
<b>Rated voltage</b>	AC/DC 34 V
<b>Cable diameter</b>	5.5 mm
<b>Type of termination</b>	solder
<b>Material</b>	
<b>Contact material (socket)</b>	brass
<b>Contact surface material</b>	tin plated
<b>Contact bearer material</b>	PA 66/UL standard 94V-2
<b>Housing material</b>	PE
<b>Environmental conditions</b>	
<b>Protection class (IEC 60529)</b>	IP 30
<b>Temperature range</b>	-20 °C to +60 °C
<b>Scope of delivery and accessories</b>	
<b>Packaging</b>	industry package, box; individual parts not assembled, sorted



Picture  
Drawing



The information published has been compiled as carefully as possible. It is subject to alteration without notice in technical as well as in price related/commercial respect.