


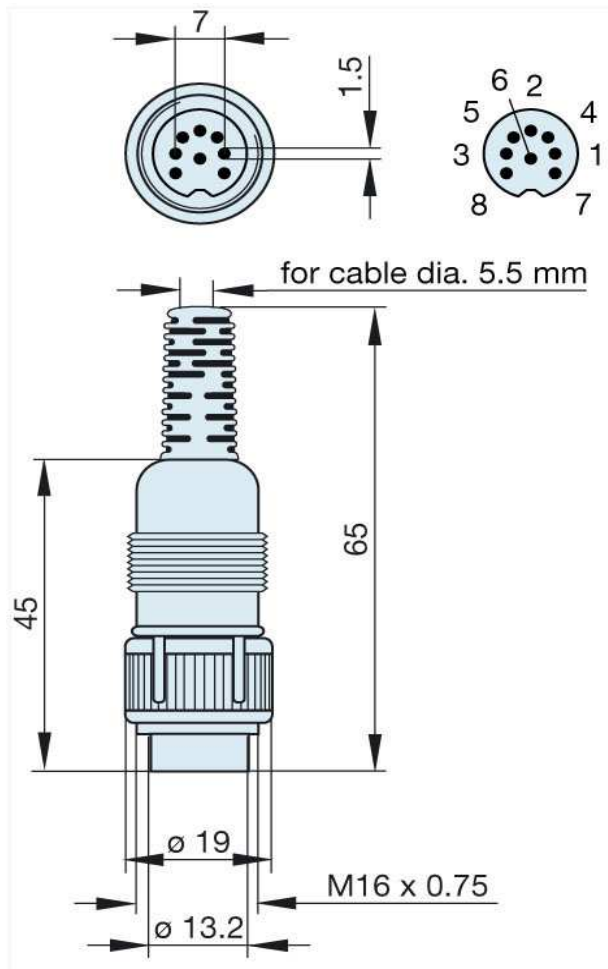


**Product information**  
**MAS 8100 S UM grau/grey**  
**931 240-117**

<b>Name</b>	
MAS 8100 S UM grau/grey	
	
plug with locking screw; solder joint	
<b>Delivery informations</b>	
Availability	available
<b>Product description</b>	
Type	MAS 8100 S UM grau/grey
Order No.	931 240-117
Type of contact	male
Description	plug with locking screw; solder joint
Housing Color	grey
Number of contacts	8
Conductor size	$\leq 0.34 \text{ mm}^2$
<b>Technical data</b>	
LF output "Phone"	EN 60 130-09
Pole arrangement DIN	DIN 41 524 (pin 1-5)
Rated current	4 A
Rated voltage	AC/DC 34 V
Cable diameter	5.5 mm
Type of termination	solder
<b>Material</b>	
Contact material	brass
Contact surface material	tin plated
Contact bearer material	PA 66/UL standard 94V-2
Housing material	PE
<b>Environmental conditions</b>	
Protection class (IEC 60529)	IP 30
Temperature range	-20 °C to +60 °C
<b>Scope of delivery and accessories</b>	
Packaging	industry package, box; individual parts not assembled, sorted



Picture  
Drawing



The information published has been compiled as carefully as possible. It is subject to alteration without notice in technical as well as in price related/commercial respect.