




Product information

N6R FF R

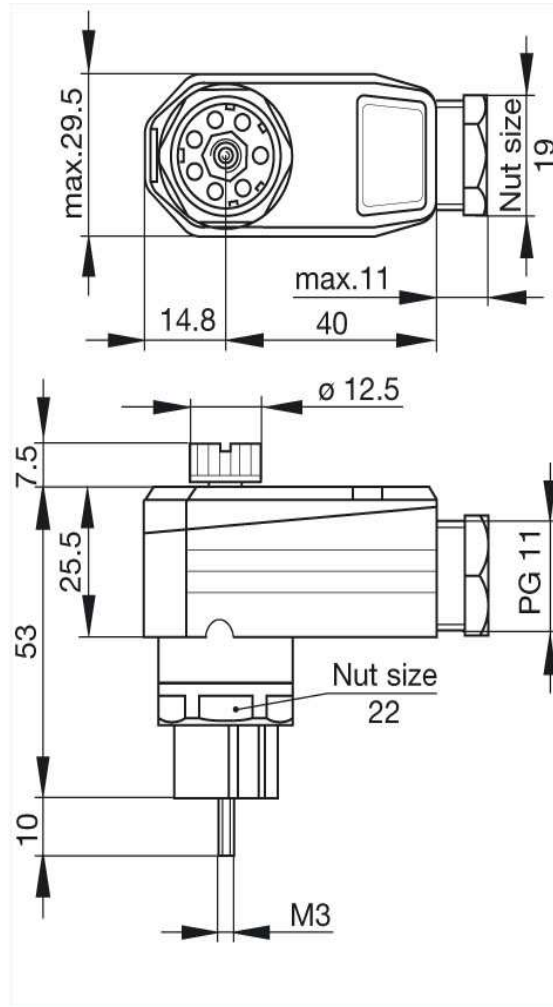
931 553-106

Name	
N6R FF R	
	
Angled cable socket, strain relief by means of a clamping cage and knurled screw	
Delivery informations	
Availability	available
Product description	
Description	Angled cable socket, strain relief by means of a clamping cage and knurled screw
Type	N6R FF R
Order No.	931 553-106
Type of contact	female
Number of contacts	6 + PE
Cable gland	PG 11
Cable diameter	7 mm to 9 mm
Conductor size	max. 1.5 mm ²
Standard	DIN 43651
Housing Color	grey
Technical data	
Pin dimensions	1.6 mm
Rated voltage	AC/DC 250 V
Rated current	10 A
Contact resistance	<= 5 mOhm
Type of termination	crimp
Suitable cables	0.5 mm ² to 1.5 mm ²
Material	
Contact surface material	Ag
Contact bearer material	PET
Housing material	PET
Environmental conditions	
Protection class (IEC 60529)	IP 65
Temperature range	-40 °C to +90 °C
Packing unit	
Packaging unit	10 pieces
Scope of delivery and accessories	
Scope of delivery	1 cable socket, with knurled screw, not assembled, in polythene bag, with assembly instructions
Accessories to order separately	can be plugged into N6R AM, N6R AM..., N6R BM..., N6R DM; coding NC 6, order no. 831 002-011 contacts: RBC 162

The information published has been compiled as carefully as possible. It is subject to alteration without notice in technical as well as in price related/commercial respect.



Picture
Drawing



The information published has been compiled as carefully as possible. It is subject to alteration without notice in technical as well as in price related/commercial respect.