
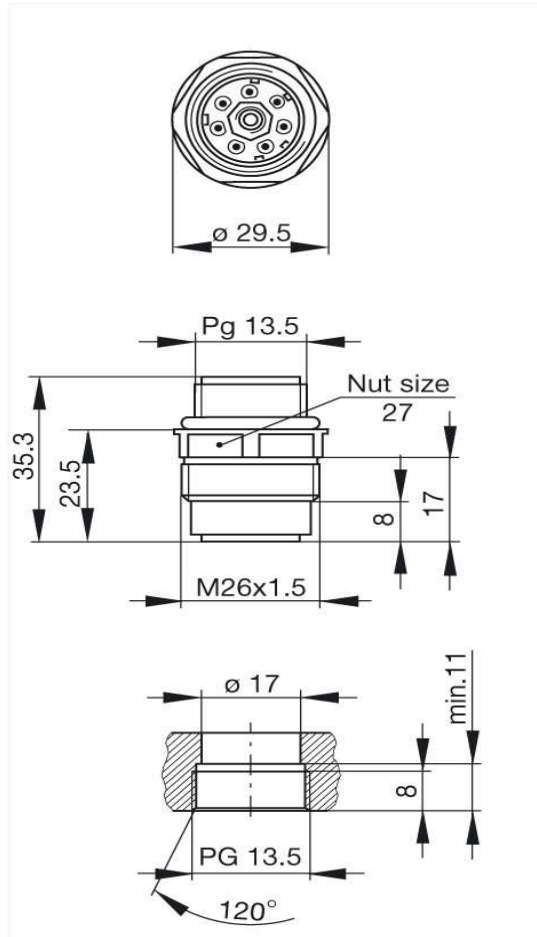




**Product information**  
**N6R AM 2**  
**931 592-001**

<b>Name</b>	
N6R AM 2	
	
Panel-mounted connector with contact bearer in the casing (monoblock design)	
<b>Delivery informations</b>	
<b>Availability</b>	available
<b>Product description</b>	
<b>Description</b>	Panel-mounted connector with contact bearer in the casing (monoblock design)
<b>Type</b>	N6R AM 2
<b>Order No.</b>	931 592-001
<b>Type of contact</b>	male
<b>Number of contacts</b>	6 + PE
<b>Conductor size</b>	max. 1.5 mm <sup>2</sup>
<b>Standard</b>	DIN 43651
<b>Housing Color</b>	grey
<b>Technical data</b>	
<b>Pin dimensions</b>	1.6 mm
<b>Rated voltage</b>	AC/DC 250 V
<b>Rated current</b>	10 A
<b>Contact resistance</b>	<= 5 mOhm
<b>Type of termination</b>	crimp
<b>Suitable cables</b>	0.5 mm <sup>2</sup> to 1.5 mm <sup>2</sup>
<b>Mounting</b>	PG 13,5
<b>Material</b>	
<b>Contact surface material</b>	Ag
<b>Contact bearer material</b>	PET
<b>Housing material</b>	PET
<b>Environmental conditions</b>	
<b>Protection class (IEC 60529)</b>	IP 65
<b>Temperature range</b>	-40 °C to +90 °C
<b>Packing unit</b>	
<b>Packaging unit</b>	10 pieces
<b>Scope of delivery and accessories</b>	
<b>Scope of delivery</b>	1 panel-mounted connector with O-Ring in polythene bag with assembly instructions
<b>Accessories to order separately</b>	can be plugged into N6R FF, N6R FF R, N6R EF; coding NC 6, order no. 831 002-011 protective cover SHK 1, order no. 733 849-011, contacts: RSC 162

Picture  
Drawing



The information published has been compiled as carefully as possible. It is subject to alteration without notice in technical as well as in price related/commercial respect.