

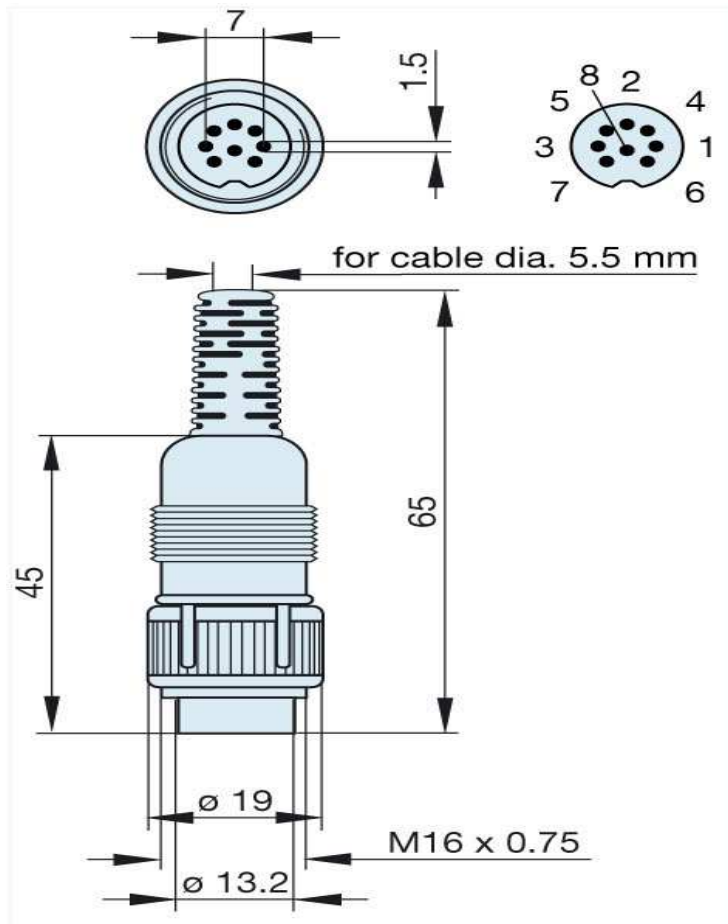


**Product information**  
**MAS 8100 SN UM schwarz/black**  
**931 750-100**

<b>Name</b>	
MAS 8100 SN UM schwarz/black	
	
plug with locking screw; solder joint	
<b>Delivery informations</b>	
<b>Availability</b>	available
<b>Product description</b>	
<b>Type</b>	MAS 8100 SN UM schwarz/black
<b>Order No.</b>	931 750-100
<b>Type of contact</b>	male
<b>Description</b>	plug with locking screw; solder joint
<b>Housing Color</b>	black
<b>Number of contacts</b>	8
<b>Conductor size</b>	$\leq 0.34 \text{ mm}^2$
<b>Technical data</b>	
<b>LF output "Phone"</b>	EN 60 130-09
<b>Pole arrangement DIN</b>	DIN 45 326
<b>Rated current</b>	4 A
<b>Rated voltage</b>	AC/DC 34 V
<b>Cable diameter</b>	5.5 mm
<b>Type of termination</b>	solder
<b>Material</b>	
<b>Contact material</b>	brass
<b>Contact surface material</b>	tin plated
<b>Contact bearer material</b>	PA 66/UL standard 94V-2
<b>Housing material</b>	PE
<b>Environmental conditions</b>	
<b>Protection class (IEC 60529)</b>	IP 30
<b>Temperature range</b>	-20 °C to +60 °C
<b>Scope of delivery and accessories</b>	
<b>Packaging</b>	industry package, box; individual parts not assembled, sorted



Picture  
Drawing



The information published has been compiled as carefully as possible. It is subject to alteration without notice in technical as well as in price related/commercial respect.