




Product information

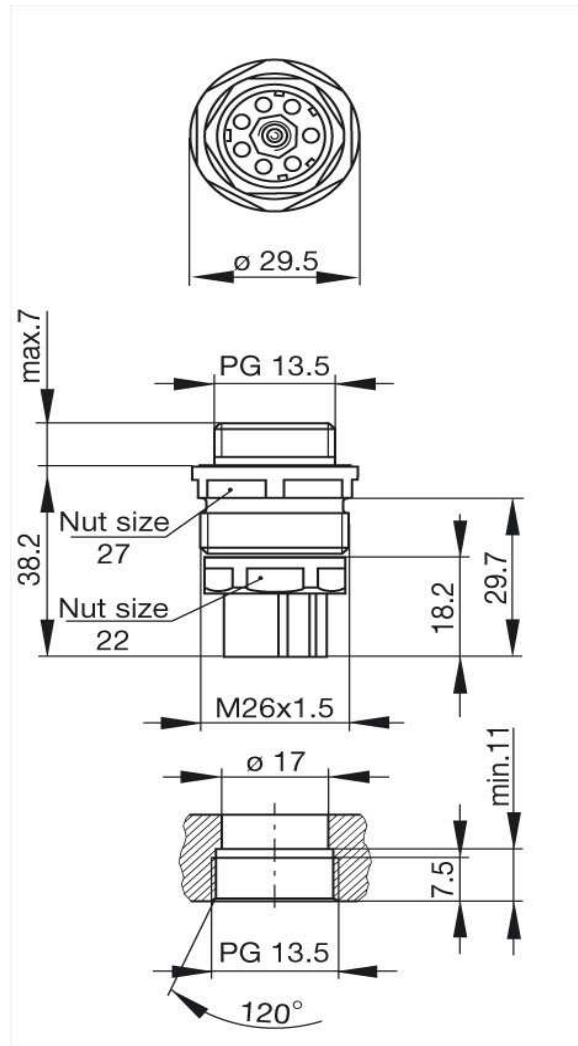
N6R AF

931 855-001

Name	
N6R AF	
	
Panel-mounted socket with metal screw-in casing	
Delivery informations	
Availability	available
Product description	
Description	Panel-mounted socket with metal screw-in casing
Type	N6R AF
Order No.	931 855-001
Type of contact	female
Number of contacts	6 + PE
Conductor size	max. 1.5 mm ²
Standard	DIN 43651
Housing Color	grey, metallic
Technical data	
Pin dimensions	1.6 mm
Rated voltage	AC/DC 250 V
Rated current	10 A
Contact resistance	<= 5 mOhm
Type of termination	crimp
Suitable cables	0.5 mm ² to 1.5 mm ²
Mounting	PG 13,5
Material	
Contact surface material	Ag
Contact bearer material	PET
Housing material	PET
Environmental conditions	
Protection class (IEC 60529)	IP 65
Temperature range	-40 °C to +90 °C
Packing unit	
Packaging unit	10 pieces
Scope of delivery and accessories	
Scope of delivery	1 panel-mounted socket, not assembled, in polythene bag, with assembly instructions
Accessories to order separately	can be plugged into N6R FM R, N6R EM; coding NC 6, order no. 831 002-011; protective cover SHK 2, order no. 733 845-001 contacts: RBC 162



Picture
Drawing



The information published has been compiled as carefully as possible. It is subject to alteration without notice in technical as well as in price related/commercial respect.