
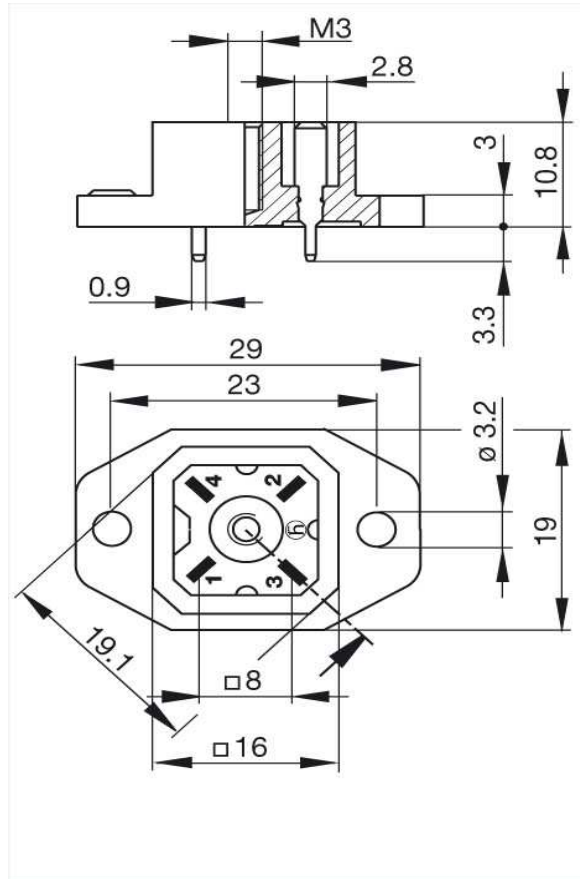




Product information
G 4 A 5 M grau/grey
932 092-106

Name	
G 4 A 5 M grau/grey	
	
Surface mounted connector for printed circuit boards with flange and solder contacts	
Delivery informations	
Availability	available
Product description	
Description	Surface mounted connector for printed circuit boards with flange and solder contacts
Type	G 4 A 5 M grau/grey
Order No.	932 092-106
Type of contact	blade contacts
Number of contacts	4
Standard	DIN VDE 0627 / IEC 61984
Housing Color	grey
Technical data	
Pin dimensions	2.8 mm x 0.8 mm
Rated voltage	AC/DC 50 V
Rated current	10 A
Contact resistance	<= 4 mOhm
Type of termination	solder (solder tabs for printed circuits)
Mounting	screws
Material	
Contact surface material	Sn
Contact bearer material	PA
Housing material	PA
Environmental conditions	
Protection class (IEC 60529)	IP 65
Pollution severity	3
Temperature range	-40 °C to +90 °C
Inflammability class	
Housing	94 HB
Contact bearer	94 HB
Approvals	
VDE	VDE
Packing unit	
Packaging unit	100 pieces
Scope of delivery and accessories	
Scope of delivery	1 surface mounted connector
Accessories to order separately	can be plugged into G 4 W 1 F grau, G 4 KW 1 F 2m; flat gasket G 30 E-2, order no. 733 415-002

Picture
Drawing



The information published has been compiled as carefully as possible. It is subject to alteration without notice in technical as well as in price related/commercial respect.