


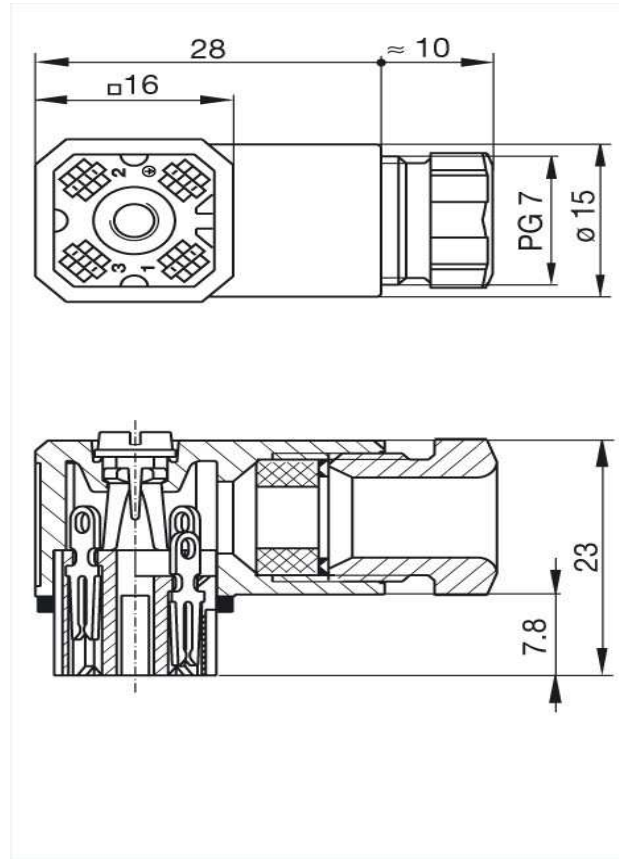


**Product information**  
**G 30 W 3 F schwarz/black**  
**932 186-100**

<b>Name</b>	
G 30 W 3 F schwarz/black	
	
Cable socket with PG 7 cable gland and solder contacts	
<b>Delivery informations</b>	
<b>Availability</b>	available
<b>Product description</b>	
<b>Description</b>	Cable socket with PG 7 cable gland and solder contacts
<b>Type</b>	G 30 W 3 F schwarz/black
<b>Order No.</b>	932 186-100
<b>Type of contact</b>	forked spring
<b>Number of contacts</b>	3 + PE
<b>Cable gland</b>	PG 7
<b>Conductor size</b>	0.14 - 0.5 mm <sup>2</sup>
<b>Standard</b>	DIN VDE 0627 / IEC 61984
<b>Housing Color</b>	black
<b>Technical data</b>	
<b>Rated voltage</b>	AC/DC 250 V
<b>Rated current</b>	6 A
<b>Contact resistance</b>	<= 4 mOhm
<b>Type of termination</b>	solder
<b>Suitable cables</b>	4 mm to 7.5 mm
<b>Material</b>	
<b>Contact surface material</b>	Sn
<b>Contact bearer material</b>	PA
<b>Housing material</b>	PA
<b>Environmental conditions</b>	
<b>Protection class (IEC 60529)</b>	IP 65
<b>Pollution severity</b>	3
<b>Temperature range</b>	-40 °C to +90 °C
<b>Inflammability class</b>	
<b>Housing</b>	94 HB
<b>Contact bearer</b>	94 HB
<b>Approvals</b>	
<b>VDE</b>	VDE
<b>Packing unit</b>	
<b>Packaging unit</b>	100 pieces
<b>Scope of delivery and accessories</b>	
<b>Scope of delivery</b>	1 cable socket with PG 7 cable gland, 1 central screw M 3 x 20, 1 gasket, not assembled, in polythene bag
<b>Accessories to order separately</b>	can be plugged into G 30 E 3 M, G 30 A 3 M grau/grey

The information published has been compiled as carefully as possible. It is subject to alteration without notice in technical as well as in price related/commercial respect.

Picture  
Drawing



The information published has been compiled as carefully as possible. It is subject to alteration without notice in technical as well as in price related/commercial respect.