


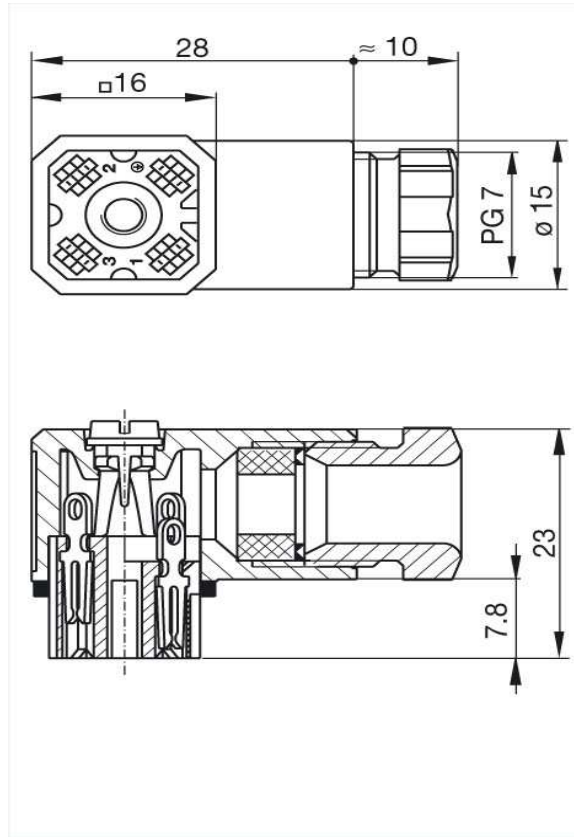


Product information
G 30 W 3 F grau/grey
932 186-106

Name	
G 30 W 3 F grau/grey	
	
Cable socket with PG 7 cable gland and solder contacts	
Delivery informations	
Availability	available
Product description	
Description	Cable socket with PG 7 cable gland and solder contacts
Type	G 30 W 3 F grau/grey
Order No.	932 186-106
Type of contact	forked spring
Number of contacts	3 + PE
Cable gland	PG 7
Conductor size	max. 0.5 mm ²
Standard	DIN VDE 0627 / IEC 61984
Housing Color	grey
Technical data	
Rated voltage	AC/DC 250 V
Rated current	6 A
Contact resistance	<= 4 mOhm
Type of termination	solder
Suitable cables	4 mm to 7.5 mm
Material	
Contact surface material	Sn
Contact bearer material	PA
Housing material	PA
Environmental conditions	
Protection class (IEC 60529)	IP 65
Pollution severity	3
Temperature range	-40 °C to +90 °C
Inflammability class	
Housing	94 HB
Contact bearer	94 HB
Approvals	
VDE	VDE
Packing unit	
Packaging unit	100 pieces
Scope of delivery and accessories	
Scope of delivery	1 cable socket with PG 7 cable gland, 1 central screw M 3 x 20, 1 gasket, not assembled, in polythene bag
Accessories to order separately	can be plugged into G 30 E 3 M, G 30 A 3 M grau/grey

The information published has been compiled as carefully as possible. It is subject to alteration without notice in technical as well as in price related/commercial respect.

Picture
Drawing



The information published has been compiled as carefully as possible. It is subject to alteration without notice in technical as well as in price related/commercial respect.