


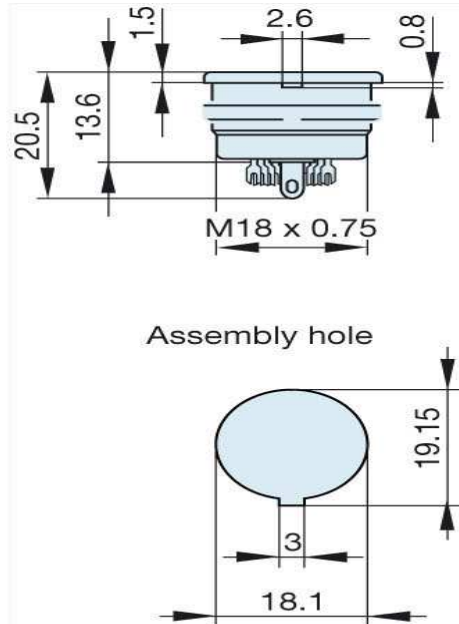


**Product information**  
**MIB 1400 schwarz/black**  
**932 221-500**

<b>Name</b>	
	MIB 1400 schwarz/black
	
	panel-mounted socket with locking screw; solder joint; not shielded
<b>Delivery informations</b>	
<b>Availability</b>	available
<b>Product description</b>	
<b>Type</b>	MIB 1400 schwarz/black
<b>Order No.</b>	932 221-500
<b>Type of contact</b>	female
<b>Colour</b>	black
<b>Description</b>	panel-mounted socket with locking screw; solder joint; not shielded
<b>Number of contacts</b>	14
<b>Conductor size</b>	$\leq 0.34 \text{ mm}^2$
<b>Technical data</b>	
<b>LF output "Phone"</b>	EN 60 130-09
<b>Rated current</b>	3 A
<b>Rated voltage</b>	AC/DC 34 V
<b>Type of termination</b>	solder
<b>Material</b>	
<b>Contact material (socket)</b>	brass
<b>Contact surface material</b>	tin plated
<b>Contact bearer material</b>	PA 66/UL standard 94V-2
<b>Housing material</b>	PE
<b>Environmental conditions</b>	
<b>Protection class (IEC 60529)</b>	IP 30
<b>Temperature range</b>	-20 °C to +60 °C



Picture  
Drawing



The information published has been compiled as carefully as possible. It is subject to alteration without notice in technical as well as in price related/commercial respect.