




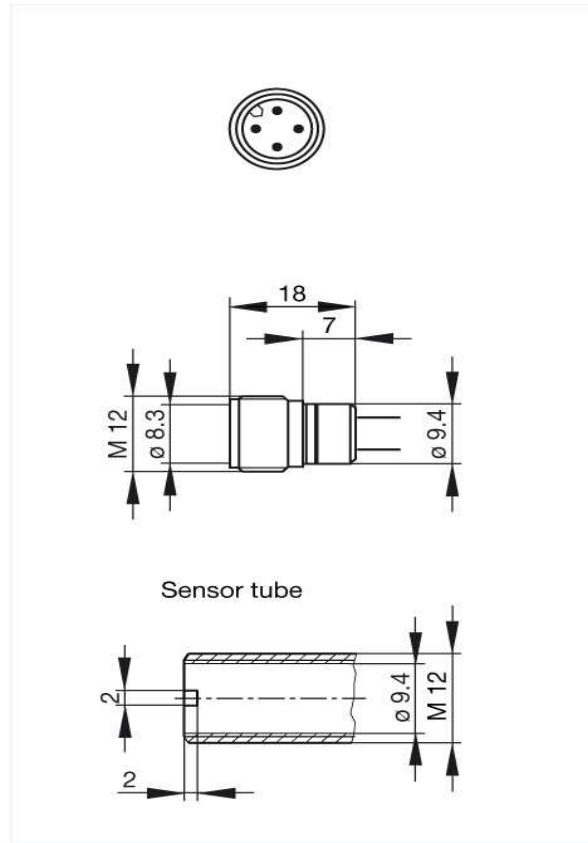
**Product information**  
**ELST 412 LED Sn rot/red**  
**932 256-212**

<b>Name</b>	
ELST 412 LED Sn rot/red	
	
Appliance connector for M12 sensors (with thread), press-in tube mounting, O-ring, with LED	
<b>Delivery informations</b>	
<b>Availability</b>	available
<b>Product description</b>	
<b>Description</b>	Appliance connector for M12 sensors (with thread), press-in tube mounting, O-ring, with LED
<b>Type</b>	ELST 412 LED Sn rot/red
<b>Order No.</b>	932 256-212
<b>Other standard types</b>	LED red: gold-plated contacts, order no. 932 256-112; LED yellow: gold-plated contacts, order no. 933 363-112; tinned contacts, order no. 933 363-212
<b>Type of contact</b>	male
<b>Number of contacts</b>	4
<b>Standard</b>	IEC 61076-2-101 (Ed. 1)/ IEC 60947-5-2
<b>Housing Color</b>	transparent
<b>Technical data</b>	
<b>Pin dimensions</b>	1 mm
<b>Rated voltage</b>	AC/DC 50 V
<b>Rated current</b>	4 A (LED max. 10 mA)
<b>Type of termination</b>	solder
<b>Suitable cables</b>	max. 0.5 mm <sup>2</sup>
<b>Material</b>	
<b>Contact material</b>	Cu Zn
<b>Contact surface material</b>	Sn
<b>Contact bearer material</b>	PA
<b>O-Ring</b>	NBR
<b>Environmental conditions</b>	
<b>Protection class (IEC 60529)</b>	IP 68
<b>Pollution severity</b>	3
<b>Temperature range</b>	-25 °C to +90 °C
<b>Inflammability class</b>	
<b>Contact bearer</b>	94 V-2
<b>Approvals</b>	
<b>UL</b>	UL
<b>Packing unit</b>	
<b>Packaging unit</b>	100 pieces

The information published has been compiled as carefully as possible. It is subject to alteration without notice in technical as well as in price related/commercial respect.



Picture  
Drawing



The information published has been compiled as carefully as possible. It is subject to alteration without notice in technical as well as in price related/commercial respect.