




Product information

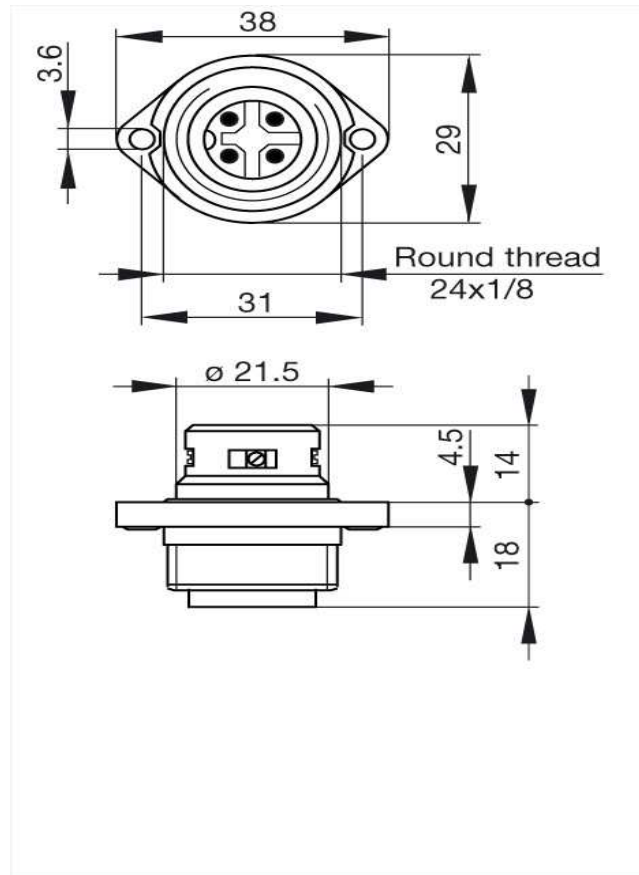
CA 3 GS

932 322-100

| | |
|--|---|
| Name | |
| | CA 3 GS |
| |  |
| | Panel-mounted connector with flange |
| Delivery informations | |
| Availability | available |
| Product description | |
| Description | Panel-mounted connector with flange |
| Type | CA 3 GS |
| Order No. | 932 322-100 |
| Number of contacts | 3 + PE |
| Conductor size | max. 2.5 mm ² |
| Housing Color | black |
| Technical data | |
| Pin dimensions | 2 mm |
| Rated voltage | AC 400 V / DC 250 V |
| Rated current | DC 10 A / AC 16 A |
| Contact resistance | <= 3 mOhm |
| Type of termination | screw |
| Mounting | flange |
| Material | |
| Contact surface material | Ag |
| Contact bearer material | PA 66-GF 25 |
| Housing material | PA 66-GF 25 |
| O-Ring | NBR |
| Environmental conditions | |
| Protection class (IEC 60529) | IP 67 |
| Pollution severity | 3 |
| Temperature range | -40 °C to +90 °C |
| Inflammability class | |
| Flammability, UL standard | 94 V-0 |
| Approvals | |
| UL | UL |
| VDE | VDE |
| Packaging unit | |
| Packaging unit | 100 pieces |
| Scope of delivery and accessories | |
| Scope of delivery | 1 panel-mounted connector with sealing ring, in polyphene bag |
| Accessories to order separately | can be plugged into CA 3 LD; cap CA 00 SD 2, order no. 831 529-100 |



Picture
Drawing



The information published has been compiled as carefully as possible. It is subject to alteration without notice in technical as well as in price related/commercial respect.