


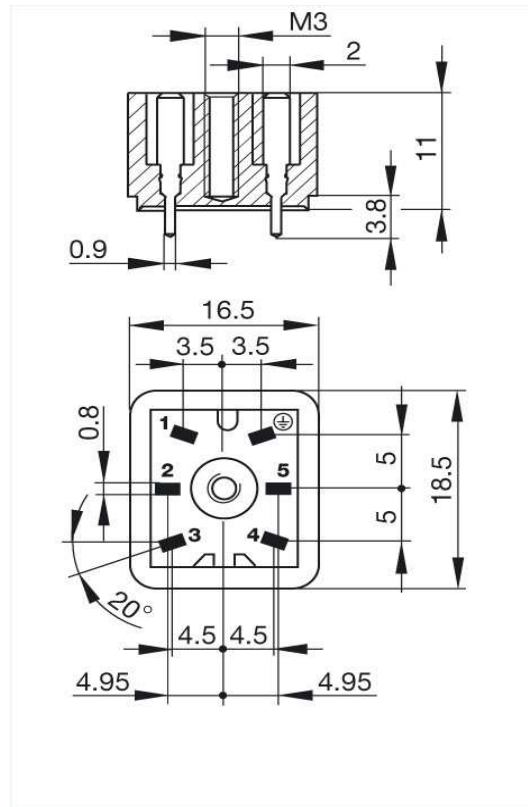


Product information
GO 51 UM schwarz/black
932 352-100

Name	
GO 51 UM schwarz/black	
	
Surface mounted connector for printed circuit boards with solder contacts	
Delivery informations	
Availability	available
Product description	
Description	Surface mounted connector for printed circuit boards with solder contacts
Type	GO 51 UM schwarz/black
Order No.	932 352-100
Type of contact	blade contacts
Number of contacts	5 + PE
Standard	DIN VDE 0627 / IEC 61984
Housing Color	black
Technical data	
Pin dimensions	2.8 mm x 0.8 mm
Rated voltage	AC/DC 250 V
Rated current	6 A
Contact resistance	<= 4 mOhm
Type of termination	solder
Material	
Contact surface material	Sn
Contact bearer material	PA
Housing material	PA
Environmental conditions	
Protection class (IEC 60529)	IP 65
Pollution severity	3
Temperature range	-40 °C to +90 °C
Inflammability class	
Housing	94 V-1
Contact bearer	94 V-1
Packing unit	
Packaging unit	100 pieces
Scope of delivery and accessories	
Scope of delivery	1 surface mounted connector
Accessories to order separately	can be plugged into GO 51 WF schwarz/black



Picture
Drawing



The information published has been compiled as carefully as possible. It is subject to alteration without notice in technical as well as in price related/commercial respect.