

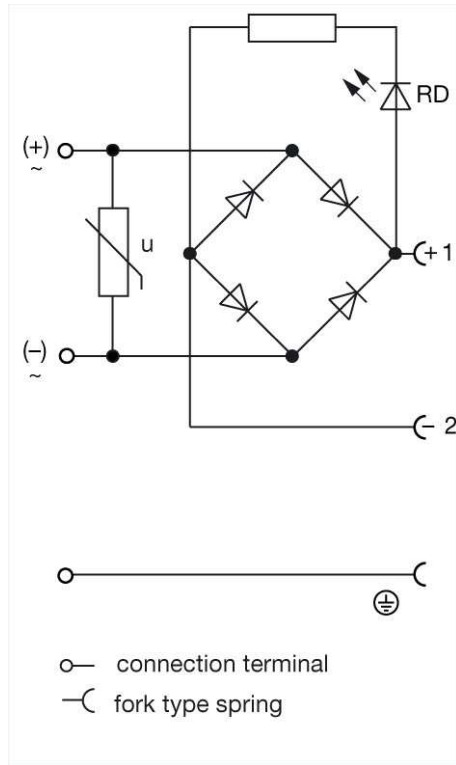


Product information
GDML 2011 GB1 LED 24 schwarz/black
932 446-002

| | |
|---|--|
| Name | |
| GDML 2011 GB1 LED 24 schwarz/black | |
|  | |
| bridge-type rectifier with protective circuit (varistor) and function indicator (LED) | |
| Delivery informations | |
| Availability | available |
| Product description | |
| Description | bridge-type rectifier with protective circuit (varistor) and function indicator (LED) |
| Type | GDML 2011 GB1 LED 24 schwarz/black |
| Order No. | 932 446-002 |
| Other standard types | transparent housing, cable gland grey; Order no. 932 446-003 |
| Number of contacts | 2 + PE |
| Cable gland | PG 11 (black) |
| Conductor size | max. 1.5 mm ² |
| Standard | DIN EN 175 301-803-A |
| Housing Color | transparent |
| Construction type | A |
| Description of Wiring | |
| LED color | LED red |
| Voltage rectifier | bridge-type rectifier |
| Suppressor | varistor |
| Technical data | |
| Pin dimensions | 6.3 mm x 0.8 mm, 4.8 mm x 0.8 mm |
| Rated voltage | AC/DC 24 V |
| Rated current | 2 A (SEV 1011 : 1.5 A) AC / 1 A DC |
| Contact resistance | <= 4 mOhm |
| Type of termination | screw |
| Suitable cables | 4.5 mm to 11 mm diameter |
| Mounting | central nut |
| Material | |
| Contact surface material | Sn |
| Contact bearer material | PA |
| Housing material | PA |
| Environmental conditions | |
| Protection class (IEC 60529) | IP 65 (gasket necessary) |
| Pollution severity | 3 |
| Temperature range | -40 °C to +90 °C |
| Inflammability class | |
| Housing | 94 HB |
| Contact bearer | 94 HB |
| Packing unit | |
| Packaging unit | 50 pieces |
| Scope of delivery and accessories | |
| Accessories to order separately | (NBR) flat gasket GDM 3-7, Order no. 730 801-002; (EPDM) flat gasket GDM 3-21, Order no. 731 739-004; profiled gasket GDM 3-16, Order no. 731 531-002; knurled screw GDM 3011-8, Order no. 732 574-001; stainless steel screw GDM 3011 RF-1, Order no. 734 363-001 |

The information published has been compiled as carefully as possible. It is subject to alteration without notice in technical as well as in price related/commercial respect.

Picture
Drawing



The information published has been compiled as carefully as possible. It is subject to alteration without notice in technical as well as in price related/commercial respect.