


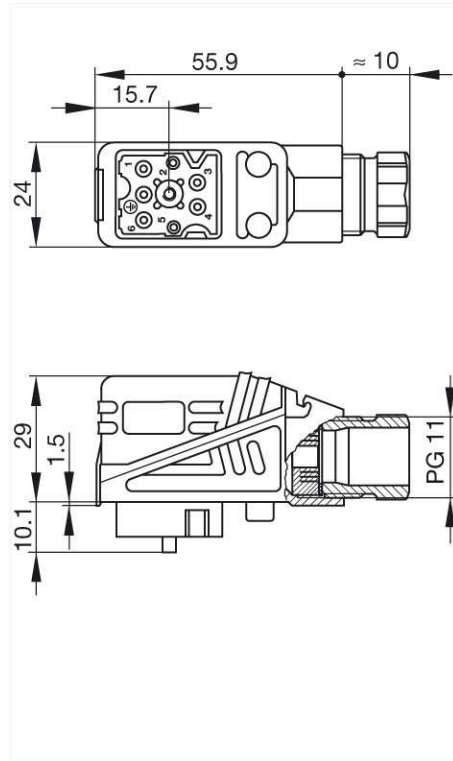


**Product information**  
**GO 610 WF schwarz/black**  
**932 484-100**

|                                                                                   |                                                                                                             |
|-----------------------------------------------------------------------------------|-------------------------------------------------------------------------------------------------------------|
| <b>Name</b>                                                                       |                                                                                                             |
| GO 610 WF schwarz/black                                                           |                                                                                                             |
|  |                                                                                                             |
| Cable socket with PG 11 cable gland with screw contacts                           |                                                                                                             |
| <b>Delivery informations</b>                                                      |                                                                                                             |
| <b>Availability</b>                                                               | available                                                                                                   |
| <b>Product description</b>                                                        |                                                                                                             |
| <b>Description</b>                                                                | Cable socket with PG 11 cable gland with screw contacts                                                     |
| <b>Type</b>                                                                       | GO 610 WF schwarz/black                                                                                     |
| <b>Order No.</b>                                                                  | 932 484-100                                                                                                 |
| <b>Type of contact</b>                                                            | female                                                                                                      |
| <b>Number of contacts</b>                                                         | 6 + PE                                                                                                      |
| <b>Cable gland</b>                                                                | PG 11                                                                                                       |
| <b>Conductor size</b>                                                             | 0.25 - 1 mm <sup>2</sup>                                                                                    |
| <b>Standard</b>                                                                   | DIN VDE 0627 / IEC 61984                                                                                    |
| <b>Housing Color</b>                                                              | black                                                                                                       |
| <b>Technical data</b>                                                             |                                                                                                             |
| <b>Rated voltage</b>                                                              | AC/DC 250 V                                                                                                 |
| <b>Rated current</b>                                                              | 10 A                                                                                                        |
| <b>Contact resistance</b>                                                         | <= 4 mOhm                                                                                                   |
| <b>Type of termination</b>                                                        | screw                                                                                                       |
| <b>Suitable cables</b>                                                            | 4 mm to 10 mm                                                                                               |
| <b>Material</b>                                                                   |                                                                                                             |
| <b>Contact surface material</b>                                                   | Sn                                                                                                          |
| <b>Contact bearer material</b>                                                    | PA                                                                                                          |
| <b>Housing material</b>                                                           | PA                                                                                                          |
| <b>Environmental conditions</b>                                                   |                                                                                                             |
| <b>Protection class (IEC 60529)</b>                                               | IP 65                                                                                                       |
| <b>Pollution severity</b>                                                         | 3                                                                                                           |
| <b>Temperature range</b>                                                          | -40 °C to +90 °C                                                                                            |
| <b>Inflammability class</b>                                                       |                                                                                                             |
| <b>Housing</b>                                                                    | 94 V-1                                                                                                      |
| <b>Contact bearer</b>                                                             | 94 V-1                                                                                                      |
| <b>Packing unit</b>                                                               |                                                                                                             |
| <b>Packaging unit</b>                                                             | 100 pieces                                                                                                  |
| <b>Scope of delivery and accessories</b>                                          |                                                                                                             |
| <b>Scope of delivery</b>                                                          | 1 cable socket with PG 11 cable gland, 1 central screw M 3 x 35, 2 gaskets, not assembled, in polythene bag |
| <b>Accessories to order separately</b>                                            | can be plugged into GO 610 FA M                                                                             |



Picture  
Drawing



The information published has been compiled as carefully as possible. It is subject to alteration without notice in technical as well as in price related/commercial respect.