


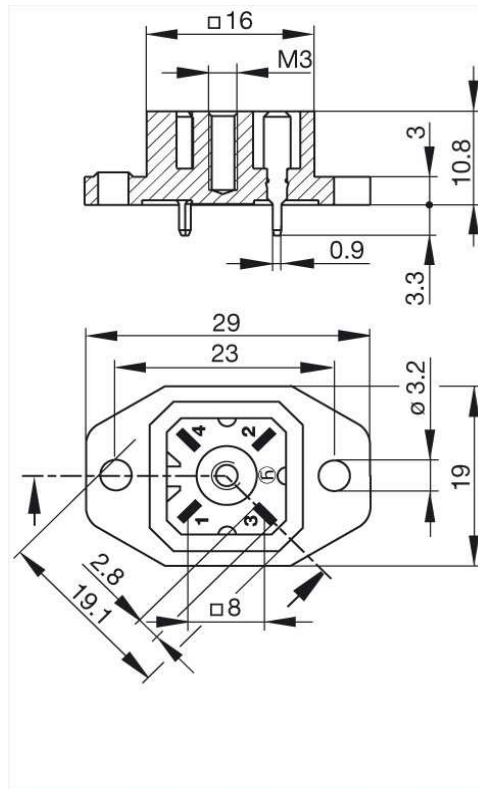


Product information
G 30 A 5 M schwarz/black
923 840-100

| | |
|---|--|
| Name | |
| G 30 A 5 M schwarz/black | |
|  | |
| Surface mounted connector with flange with solder contacts | |
| Delivery informations | |
| Availability | available |
| Product description | |
| Description | Surface mounted connector with flange with solder contacts |
| Type | G 30 A 5 M schwarz/black |
| Order No. | 932 840-100 |
| Type of contact | blade contacts |
| Number of contacts | 3 + PE |
| Standard | DIN VDE 0627 / IEC 61984 |
| Housing Color | black |
| Technical data | |
| Pin dimensions | 2.8 mm x 0.8 mm |
| Rated voltage | AC/DC 250 V |
| Rated current | 10 A |
| Contact resistance | <= 4 mOhm |
| Type of termination | solder (solder tabs for printed circuits) |
| Material | |
| Contact surface material | Sn |
| Contact bearer material | PA |
| Housing material | PA |
| Environmental conditions | |
| Protection class (IEC 60529) | IP 65 |
| Pollution severity | 3 |
| Temperature range | -40 °C to +90 °C |
| Inflammability class | |
| Housing | 94 HB |
| Contact bearer | 94 HB |
| Approvals | |
| VDE | VDE |
| Packing unit | |
| Packaging unit | 100 pieces |
| Scope of delivery and accessories | |
| Scope of delivery | 1 surface mounted connector |
| Accessories to order separately | can be plugged into G 30 KW 3 F 2m, G 30 W 3 F grau/grey |



Picture
Drawing



The information published has been compiled as carefully as possible. It is subject to alteration without notice in technical as well as in price related/commercial respect.