



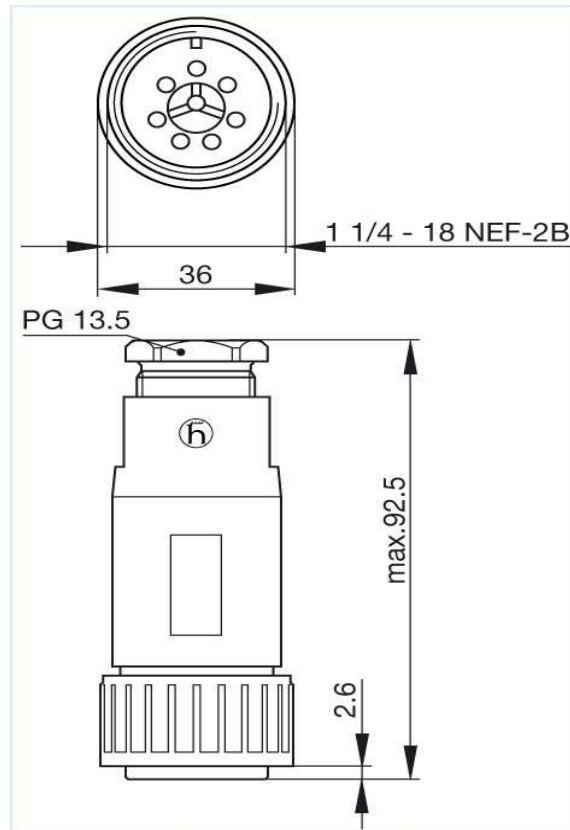
Product information
CM 06 EA 20-7 S
932 842-100

| | |
|---|--|
| Name | |
| CM 06 EA 20-7 S | |
|  | |
| Straight cable socket, strain relief by means of a clamping cage | |
| Delivery informations | |
| Availability | available |
| Product description | |
| Description | Straight cable socket, strain relief by means of a clamping cage |
| Type | CM 06 EA 20-7 S |
| Order No. | 932 842-100 |
| Number of contacts | 7 |
| Cable gland | PG 13,5 |
| Cable diameter | 10 mm to 12 mm |
| Conductor size | max. 1.5 mm ² |
| Standard | MIL-C 5015 bzw. VG 95 342 |
| Housing Color | black |
| Technical data | |
| Pin dimensions | 1.6 mm |
| Rated voltage | AC/DC 50 V |
| Rated current | 10 A |
| Contact resistance | <= 5 mOhm |
| Type of termination | solder |
| Shell size | 20 |
| Material | |
| Contact surface material | Ag |
| Contact bearer material | PA 66-GF 25 |
| Housing material | PA 66-GF 25 |
| O-Ring | NBR |
| Environmental conditions | |
| Protection class (IEC 60529) | IP 67 |
| Pollution severity | 3 |
| Temperature range | -40 °C to +90 °C |
| Inflammability class | |
| Flammability, UL standard | 94 V-1 |
| Packing unit | |
| Packaging unit | 100 pieces |
| Scope of delivery and accessories | |
| Scope of delivery | 1 cable socket, not assembled, assembly instructions |
| Accessories to order separately | can be plugged into CM 02 E 20-7 P; cap CM 06 SD 20, order no. 831 767-100 |

The information published has been compiled as carefully as possible. It is subject to alteration without notice in technical as well as in price related/commercial respect.



Picture
Drawing



The information published has been compiled as carefully as possible. It is subject to alteration without notice in technical as well as in price related/commercial respect.