


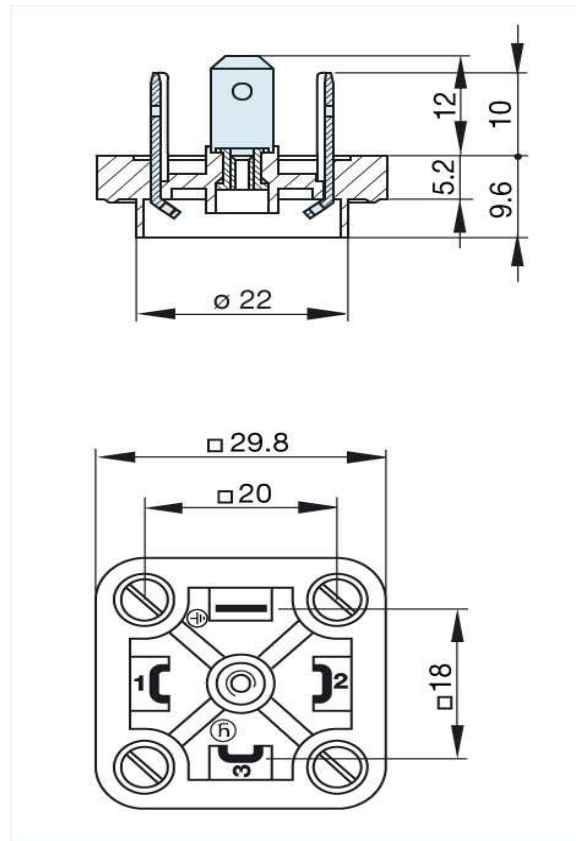


Product information
GSE 3000 N4 schwarz/black
932 890-100

Name	
GSE 3000 N4 schwarz/black	
	
appliance connector for installation in sheet metal , rotating round collar, retaining nut and 4 screws M 3 x 6	
Delivery informations	
Availability	available
Product description	
Description	appliance connector for installation in sheet metal , rotating round collar, retaining nut and 4 screws M 3 x 6
Type	GSE 3000 N4 schwarz/black
Order No.	932 890-100
Number of contacts	3 + PE
Standard	DIN EN 175 301-803-A
Housing Color	black
Construction type	A
Technical data	
Rated voltage	AC/DC 400 V
Rated current	16 A
Contact resistance	<= 4 mOhm
Type of termination	solder
Mounting	screw
Material	
Contact surface material	Sn
Contact bearer material	PA
Housing material	PA
Environmental conditions	
Protection class (IEC 60529)	IP 65 (gasket necessary) (mated)
Pollution severity	3
Temperature range	-40 °C to +125 °C
Inflammability class	
Contact bearer	94 HB
Approvals	
VDE	VDE
SEV	SEV
Packing unit	
Packaging unit	200 pieces
Scope of delivery and accessories	
Accessories to order separately	(NBR) flat gasket GSE 2000-2, Order no. 733 973-002; (EPDM) flat gasket GSE 2000-3, Order no. 733 846-003



Picture
Drawing



The information published has been compiled as carefully as possible. It is subject to alteration without notice in technical as well as in price related/commercial respect.