

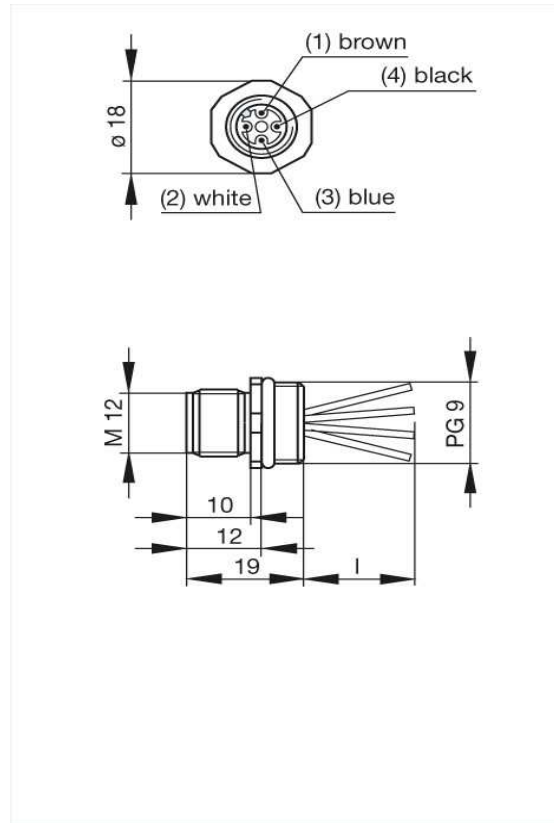


Product information
ELST 412 PG9 Au
932 916-106

Name	
ELST 412 PG9 Au	
	
Appliance connector, with wire ends, PG 9 front mounting thread, screw locking, O-ring included	
Delivery informations	
Availability	no longer available
Product description	
Description	Appliance connector, with wire ends, PG 9 front mounting thread, screw locking, O-ring included
Type	ELST 412 PG9 Au
Order No.	932 916-106
Type of contact	male
Number of contacts	4
Cable material	PVC
Cable length	0.2 m
Conductor size	0.34 mm ²
Standard	IEC 61076-2-101 (Ed. 1)/ IEC 60947-5-2
Housing Color	metallic
Technical data	
Pin dimensions	1 mm
Wire stranding	7 x 0.25 mm
Rated voltage	AC/DC 250 V
Rated current	4 A
Material	
Contact material	Cu Zn
Contact surface material	Au
Contact bearer material	PA
Housing material	Cu Zn/Ni
O-Ring	NBR
Environmental conditions	
Protection class (IEC 60529)	IP 67
Pollution severity	3
Temperature range	-25 °C to +90 °C
Inflammability class	
Contact bearer	94 V-2
Approvals	
UL	UL
Packaging unit	
Packaging unit	100 pieces
Scope of delivery and accessories	
Accessories to order separately	fastening nut ELST M PG9, order no. 733 877-001

The information published has been compiled as carefully as possible. It is subject to alteration without notice in technical as well as in price related/commercial respect.

Picture
Drawing



The information published has been compiled as carefully as possible. It is subject to alteration without notice in technical as well as in price related/commercial respect.