




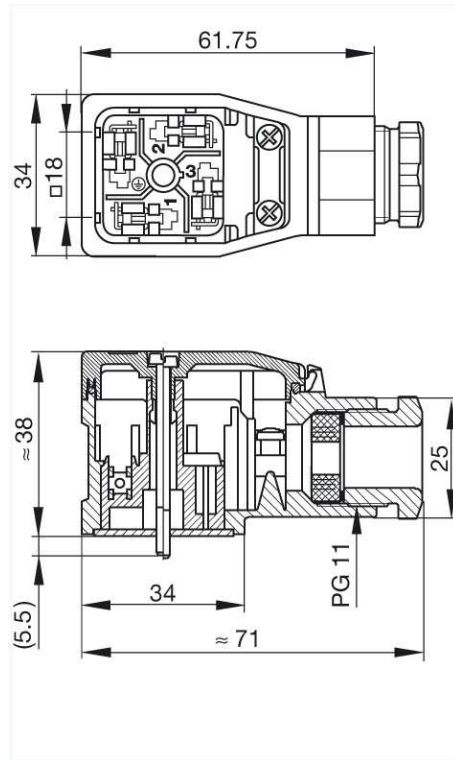
Product information
GDME 3011 schwarz/black
933-022-100

Name	
GDME 3011 schwarz/black	
	
cable socket with central screw M 3 x 40, strain relief and transparent cover, possibility to fit electronic inserts	
Delivery informations	
Availability	available
Product description	
Description	cable socket with central screw M 3 x 40, strain relief and transparent cover, possibility to fit electronic inserts
Type	GDME 3011 schwarz/black
Order No.	933 022-100
Other standard types	grey housing, Order no. 933 022-106
Number of contacts	3 + PE
Cable gland	PG 11 (black)
Conductor size	max. 1.5 mm ²
Standard	DIN EN 175 301-803-A
Housing Color	black, with transparent cover
Construction type	A
Technical data	
Pin dimensions	6.3 mm x 0.8 mm, 4.8 mm x 0.8 mm
Rated voltage	AC 400 V, DC 250 V without inserts
Rated current	16 A
Contact resistance	<= 4 mOhm
Type of termination	screw
Suitable cables	4.5 mm to 11 mm diameter
Mounting	central nut
Material	
Contact surface material	Sn
Contact bearer material	PA
Housing material	PA
Environmental conditions	
Protection class (IEC 60529)	IP 65 (gasket necessary)
Pollution severity	3
Temperature range	-40 °C to +85 °C
Inflammability class	
Housing	94 V1
Contact bearer	94 V1
Approvals	
VDE	VDE
SEV	SEV
GL	GL
Packing unit	
Packaging unit	50 pieces
Scope of delivery and accessories	
Accessories to order separately	(NBR) flat gasket GDM 3-7, Order no. 730 801-002; (EPDM) flat gasket GDM 3-21, Order no. 731 739-004; knurled screw GDME 3N-7, Order no. 732 280-001

The information published has been compiled as carefully as possible. It is subject to alteration without notice in technical as well as in price related/commercial respect.



Picture
Drawing



The information published has been compiled as carefully as possible. It is subject to alteration without notice in technical as well as in price related/commercial respect.