

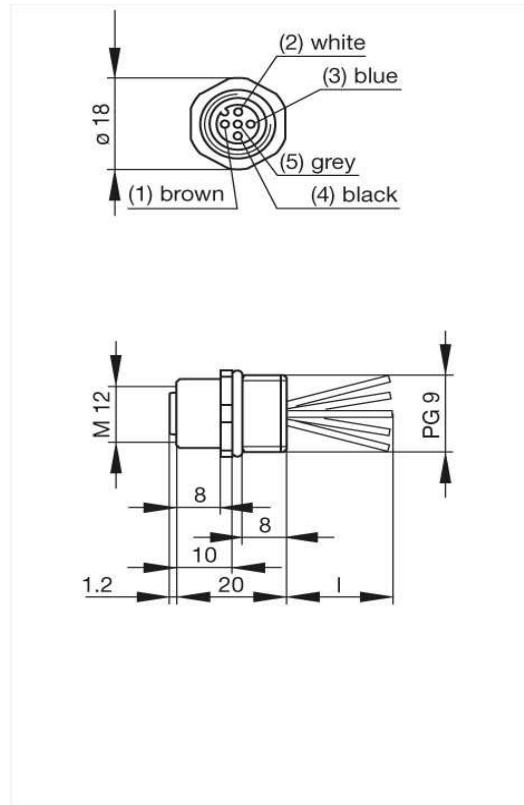


Product information
ELKE 512 PG9 Au
933 040-100

Name	
ELKE 512 PG9 Au	
	
Screw-in appliance socket, PG 9 front mounting thread, with wire ends, screw locking, O-ring included	
Delivery informations	
Availability	no longer available
Product description	
Description	Screw-in appliance socket, PG 9 front mounting thread, with wire ends, screw locking, O-ring included
Type	ELKE 512 PG9 Au
Order No.	933 040-100
Type of contact	female
Number of contacts	5
Cable material	PVC
Cable length	0.2 m
Conductor size	0.34 mm ²
Standard	IEC 61076-2-101 (Ed. 1)/ IEC 60947-5-2
Housing Color	metallic
Technical data	
Wire stranding	7 x 0.25 mm
Rated voltage	AC/DC 50 V
Rated current	4 A
Material	
Contact material	Cu Zn
Contact surface material	Au
Contact bearer material	PA
Housing material	Cu Zn/Ni
O-Ring	NBR
Environmental conditions	
Protection class (IEC 60529)	IP 67
Pollution severity	3
Temperature range	-25 °C to +90 °C
Inflammability class	
Contact bearer	94 V-2
Approvals	
UL	UL
Packing unit	
Packaging unit	100 pieces
Scope of delivery and accessories	
Accessories to order separately	protective cap M12 VS, order no. 734 209-100; fastening nut ELST M PG9, order no. 733 877-001

The information published has been compiled as carefully as possible. It is subject to alteration without notice in technical as well as in price related/commercial respect.

Picture
Drawing



The information published has been compiled as carefully as possible. It is subject to alteration without notice in technical as well as in price related/commercial respect.