
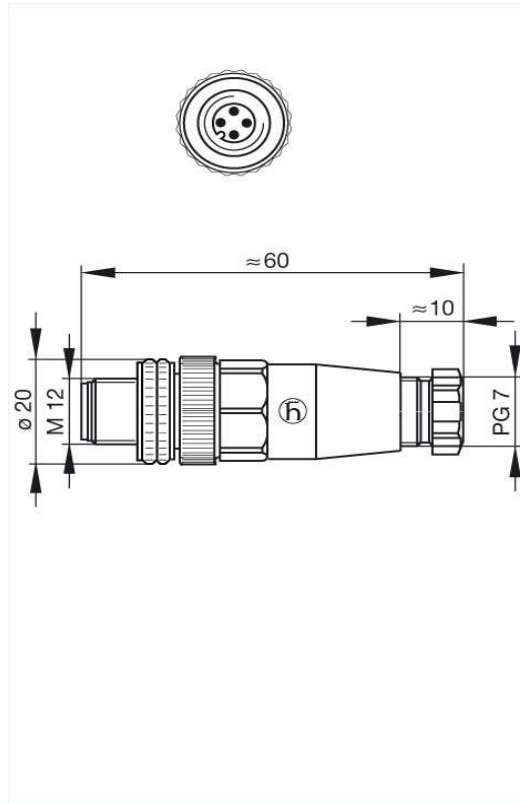




Product information
ELST 4012 PG7
933 098-100

| | |
|---|---|
| Name | |
| ELST 4012 PG7 | |
|  | |
| Straight cable plug, unassembled, strain relief by means of clamping cage | |
| Delivery informations | |
| Availability | available |
| Product description | |
| Description | Straight cable plug, unassembled, strain relief by means of clamping cage |
| Type | ELST 4012 PG7 |
| Order No. | 933 098-100 |
| Type of contact | male |
| Number of contacts | 4 |
| Cable gland | PG 7 |
| Standard | IEC 61076-2-101 (Ed. 1)/ IEC 60947-5-2 |
| Housing Color | black |
| Technical data | |
| Pin dimensions | 1 mm |
| Rated voltage | AC/DC 250 V |
| Rated current | 4 A |
| Type of termination | screw |
| Suitable cables | diameter 4 mm to 6 mm, max. 0.75 mm ² |
| Material | |
| Contact material | Cu Zn |
| Contact surface material | Sn |
| Contact bearer material | PA |
| Housing material | PA |
| Coupling nut material | Zn Al/Ni |
| O-Ring | NBR |
| Environmental conditions | |
| Protection class (IEC 60529) | IP 67 |
| Pollution severity | 3 |
| Temperature range | -25 °C to +90 °C |
| Inflammability class | |
| Housing | 94 V-2 |
| Contact bearer | 94 V-2 |
| Packing unit | |
| Packaging unit | 100 pieces |

Picture
Drawing



The information published has been compiled as carefully as possible. It is subject to alteration without notice in technical as well as in price related/commercial respect.