


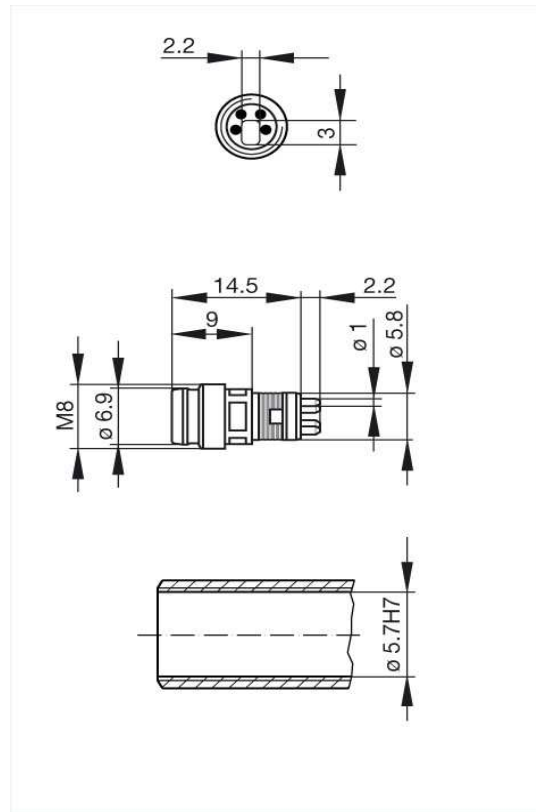


Product information
ELST 4408 RV LM
933 159-001

Name	
ELST 4408 RV LM	
	
Appliance connector for M8 sensors, snap or screw locking, press-in tube mounting, aperture for mini-LED (display window), metal-casing	
Delivery informations	
Availability	no longer available
Product description	
Description	Appliance connector for M8 sensors, snap or screw locking, press-in tube mounting, aperture for mini-LED (display window), metal-casing
Type	ELST 4408 RV LM
Order No.	933 159-001
Type of contact	male
Number of contacts	4
Standard	IEC 61076-2-101 (Ed. 1)/ IEC 60947-5-2
Housing Color	metallic
Technical data	
Pin dimensions	1 mm
Rated voltage	AC/DC 30 V
Rated current	3 A
Type of termination	solder, solid pins
Material	
Contact material	Cu Zn
Contact surface material	Au
Contact bearer material	PA transparent
Housing material	Cu ZN/Ni Cr
Environmental conditions	
Protection class (IEC 60529)	IP 67
Pollution severity	3
Temperature range	-25 °C to +90 °C
Inflammability class	
Contact bearer	94 V-2
Approvals	
UL	UL
Packing unit	
Packaging unit	100 pieces



Picture
Drawing



The information published has been compiled as carefully as possible. It is subject to alteration without notice in technical as well as in price related/commercial respect.