




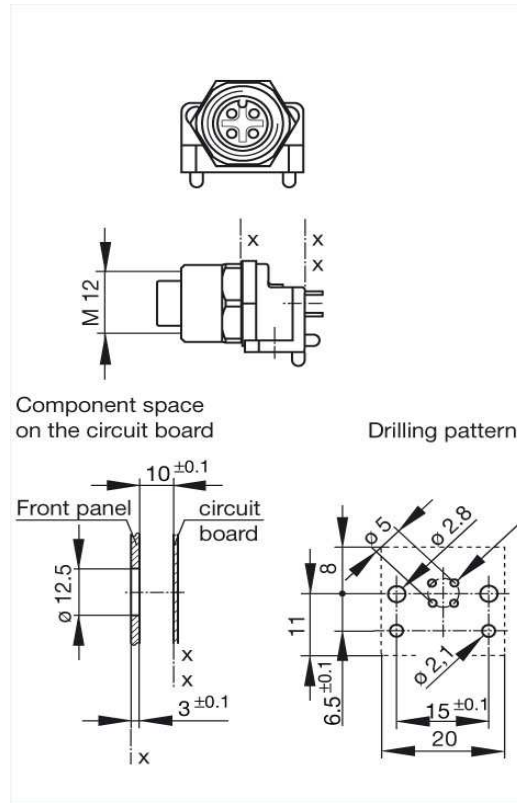
**Product information**

**EF12L4 Au**

**933 279-200**

<b>Name</b>	
	EF12L4 Au
	
Vertical appliance socket for combined front panels and circuit board installation with 2 metal screws, 2 x O-rings	
<b>Delivery informations</b>	
<b>Availability</b>	no longer available
<b>Product description</b>	
<b>Description</b>	Vertical appliance socket for combined front panels and circuit board installation with 2 metal screws, 2 x O-rings
<b>Type</b>	EF12L4 Au
<b>Order No.</b>	933 279-200
<b>Type of contact</b>	female
<b>Number of contacts</b>	4
<b>Standard</b>	IEC 61076-2-101 (Ed. 1)/ IEC 60947-5-2
<b>Housing Color</b>	metallic
<b>Technical data</b>	
<b>Rated voltage</b>	AC/DC 150 V
<b>Rated current</b>	4 A
<b>Type of termination</b>	solder, solid pins diameter 1 mm
<b>Material</b>	
<b>Contact material</b>	Cu Zn
<b>Contact surface material</b>	Au
<b>Contact bearer material</b>	PA
<b>Housing material</b>	Cu Zn/Ni
<b>O-Ring</b>	NBR
<b>Environmental conditions</b>	
<b>Protection class (IEC 60529)</b>	IP 68
<b>Pollution severity</b>	3
<b>Temperature range</b>	-25 °C to +90 °C
<b>Inflammability class</b>	
<b>Contact bearer</b>	94 V-2
<b>Approvals</b>	
<b>UL</b>	UL pending
<b>Packing unit</b>	
<b>Packaging unit</b>	100 pieces
<b>Scope of delivery and accessories</b>	
<b>Accessories to order separately</b>	protective cap M12 VS, order no. 734 209-100

Picture  
Drawing



The information published has been compiled as carefully as possible. It is subject to alteration without notice in technical as well as in price related/commercial respect.