


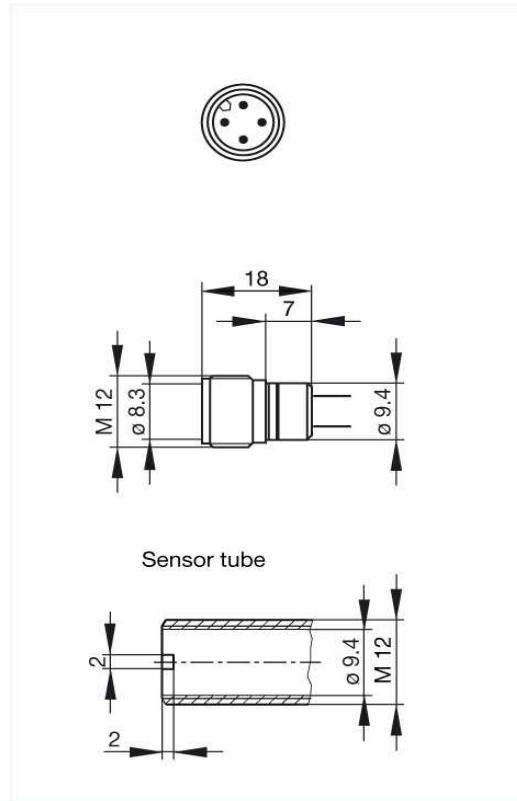


Product information
ELST 412 LED YE Sn gelb/yellow
933 363-212

Name	
ELST 412 LED YE Sn gelb/yellow	
	
Appliance connector for M12 sensors (with thread), press-in tube mounting, O-ring, with LED	
Delivery informations	
Availability	available
Product description	
Description	Appliance connector for M12 sensors (with thread), press-in tube mounting, O-ring, with LED
Type	ELST 412 LED YE Sn gelb/yellow
Order No.	933 363 212
Other standard types	LED yellow: gold-plated contacts, order no. 933 363-112; LED red: gold-plated contacts, order no. 932 256-112; tinned contacts, order no. 932 256-212
Type of contact	male
Number of contacts	4
Standard	IEC 61076-2-101 (Ed. 1)/ IEC 60947-5-2
Housing Color	transparent
Technical data	
Pin dimensions	1 mm
Rated voltage	AC/DC 50 V
Rated current	4 A (LED max. 10 mA)
Type of termination	solder
Suitable cables	max. 0.5 mm ²
Material	
Contact material	Cu Zn
Contact surface material	Sn
Contact bearer material	PA
O-Ring	NBR
Environmental conditions	
Protection class (IEC 60529)	IP 68
Pollution severity	3
Temperature range	-25 °C to +90 °C
Inflammability class	
Contact bearer	94 V-2
Approvals	
UL	UL
Packing unit	
Packaging unit	100 pieces

The information published has been compiled as carefully as possible. It is subject to alteration without notice in technical as well as in price related/commercial respect.

Picture
Drawing



The information published has been compiled as carefully as possible. It is subject to alteration without notice in technical as well as in price related/commercial respect.