




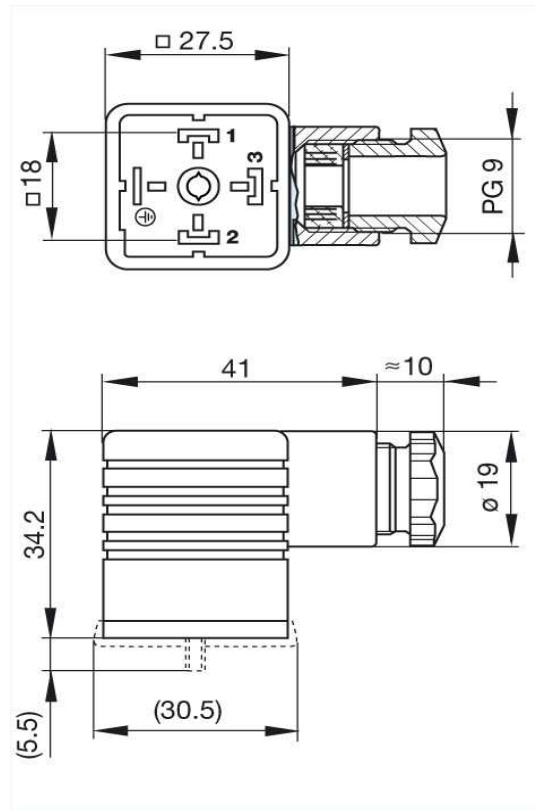
Product information
GDMC 0009 JPT schwarz/black
933 583-100

Name	
GDMC 0009 JPT schwarz/black	
	
cable socket not assembled, with central screw M 3 x 35 with central screw M 3 x 35 for junior-power-timer contacts, without contacts	
Delivery informations	
Availability	available
Product description	
Description	cable socket not assembled, with central screw M 3 x 35 with central screw M 3 x 35 for junior-power-timer contacts, without contacts
Type	GDMC 0009 JPT schwarz/black
Order No.	933 583-100
Number of contacts	2 + PE / 3 + PE
Cable gland	PG 9
Conductor size	max. 2.5 mm ²
Standard	Pole arrangement according to DIN EN 175 301-803-A
Housing Color	black
Construction type	A
Technical data	
Pin dimensions	6.3 mm x 0.8 mm, 4.8 mm x 0.8 mm
Rated voltage	AC/DC 250 V
Rated current	12 A
Contact resistance	<= 4 mOhm
Type of termination	crimp
Suitable cables	4.5 mm to 7 mm diameter
Mounting	central nut
Material	
Contact surface material	Sn
Contact bearer material	PA
Housing material	PA
Environmental conditions	
Protection class (IEC 60529)	IP 65 (gasket necessary)
Pollution severity	3
Temperature range	-40 °C to +125 °C
Inflammability class	
Housing	94 HB
Contact bearer	94 HB
Packaging unit	
Packaging unit	100 pieces
Scope of delivery and accessories	
Accessories to order separately	(NBR) flat gasket GDM 3-7, Order no. 730 801-002; (EPDM) flat gasket GDM 3-21, Order no. 731 739-004; profiled gasket GDM 3-16, Order no. 731 531-002; knurled screw GDM 3011-8, Order no. 732 574-001; stainless steel screw GDM 3011 RF-1, Order no. 734 363-001

The information published has been compiled as carefully as possible. It is subject to alteration without notice in technical as well as in price related/commercial respect.



Picture
Drawing



The information published has been compiled as carefully as possible. It is subject to alteration without notice in technical as well as in price related/commercial respect.