



**Product information**

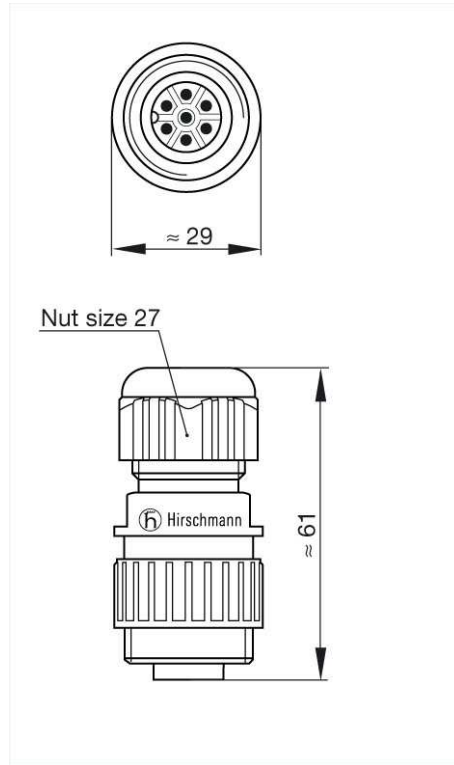
**CA 6 LS**

**934 126-100**

<b>Name</b>	
CA 6 LS	
	
Straight cable plug, integrated strain relief	
<b>Delivery informations</b>	
<b>Availability</b>	available
<b>Product description</b>	
<b>Description</b>	Straight cable plug, integrated strain relief
<b>Type</b>	CA 6 LS
<b>Order No.</b>	934 126-100
<b>Number of contacts</b>	6 + PE
<b>Cable gland</b>	M 22x2
<b>Cable diameter</b>	6 mm to 12 mm
<b>Conductor size</b>	max. 0.75 mm <sup>2</sup>
<b>Housing Color</b>	black
<b>Technical data</b>	
<b>Pin dimensions</b>	1.5 mm
<b>Rated voltage</b>	AC/DC 250 V
<b>Rated current</b>	10 A AC/DC
<b>Contact resistance</b>	<= 5 mOhm
<b>Type of termination</b>	solder, concave pins
<b>Material</b>	
<b>Contact surface material</b>	Ag
<b>Contact bearer material</b>	PA 66-GF 25
<b>Housing material</b>	PA 66-GF 25
<b>O-Ring</b>	NBR
<b>Environmental conditions</b>	
<b>Protection class (IEC 60529)</b>	IP 67
<b>Pollution severity</b>	3
<b>Temperature range</b>	-40 °C to +90 °C
<b>Inflammability class</b>	
<b>Flammability, UL standard</b>	94 V-0
<b>Approvals</b>	
<b>UL</b>	UL
<b>VDE</b>	VDE
<b>Packing unit</b>	
<b>Packaging unit</b>	100 pieces
<b>Scope of delivery and accessories</b>	
<b>Scope of delivery</b>	1 cable plug, not assembled, assembly instructions
<b>Accessories to order separately</b>	can be plugged into CA 6 LD, CA 6 GD; cap CA 00 SD 1, order no. 831 530-400



Picture  
Drawing



The information published has been compiled as carefully as possible. It is subject to alteration without notice in technical as well as in price related/commercial respect.