




Product information

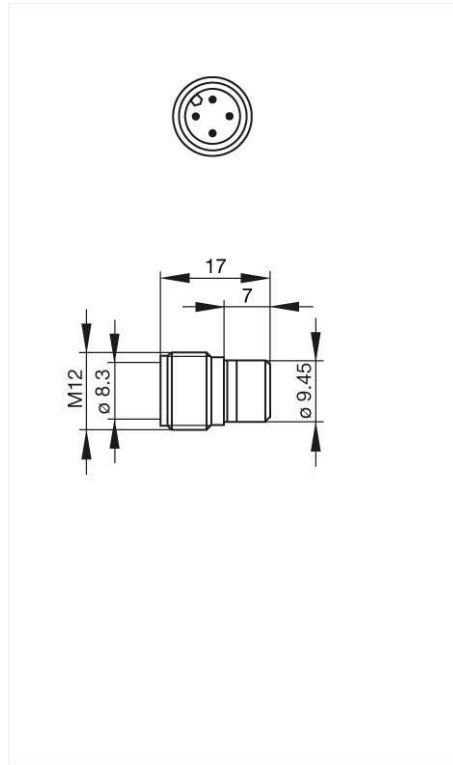
ECM 412

934 180-106

Name	
	ECM 412
	
	Appliance connector for M12 sensors with VarioQuick contact pins (with thread), press-in tube mounting, O-ring
Delivery informations	
Availability	no longer available
Product description	
Description	Appliance connector for M12 sensors with VarioQuick contact pins (with thread), press-in tube mounting, O-ring
Type	ECM 412
Order No.	934 180-106
Type of contact	male
Number of contacts	4
Standard	IEC 61076-2-101 (Ed. 1)/ IEC 60947-5-2
Housing Color	grey
Technical data	
Pin dimensions	1 mm
Rated voltage	AC/DC 150 V
Rated current	4 A
Type of termination	solder, concave pins
Suitable cables	max. 0.5 mm ²
Material	
Contact material	Cu Zn
Contact surface material	Au
Contact bearer material	PA
Housing material	PA
O-Ring	NBR
Environmental conditions	
Protection class (IEC 60529)	IP 68
Pollution severity	3
Temperature range	-25 °C to +90 °C
Inflammability class	
Contact bearer	94 V-2
Approvals	
UL	UL
Packing unit	
Packaging unit	100 pieces

The information published has been compiled as carefully as possible. It is subject to alteration without notice in technical as well as in price related/commercial respect.

Picture
Drawing



The information published has been compiled as carefully as possible. It is subject to alteration without notice in technical as well as in price related/commercial respect.