




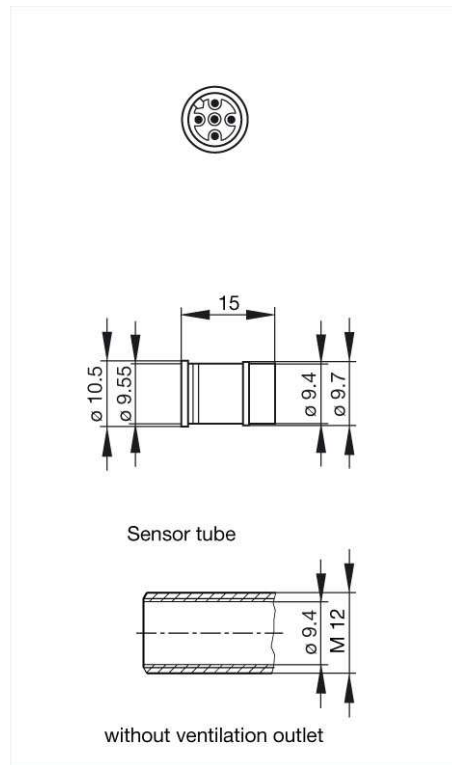
**Product information**  
**ELST 500/12 093 Au**  
**934 267-106**

<b>Name</b>	
ELST 500/12 093 Au	
	
Appliance connector for M12 sensors, press-in tube mounting	
<b>Delivery informations</b>	
<b>Availability</b>	available
<b>Product description</b>	
<b>Description</b>	Appliance connector for M12 sensors, press-in tube mounting
<b>Type</b>	ELST 500/12 093 Au
<b>Order No.</b>	934 267-106
<b>Other standard types</b>	gold-plated contacts, order no. 934 267-206
<b>Type of contact</b>	male
<b>Number of contacts</b>	5
<b>Standard</b>	IEC 61076-2-101 (Ed. 1)/ IEC 60947-5-2
<b>Housing Color</b>	grey
<b>Technical data</b>	
<b>Pin dimensions</b>	1 mm
<b>Rated voltage</b>	AC/DC 50 V
<b>Rated current</b>	4 A
<b>Type of termination</b>	solder, concave pins
<b>Suitable cables</b>	max. 0.5 mm <sup>2</sup>
<b>Material</b>	
<b>Contact material</b>	Cu Zn
<b>Contact surface material</b>	Au
<b>Contact bearer material</b>	PA
<b>O-Ring</b>	NBR
<b>Environmental conditions</b>	
<b>Protection class (IEC 60529)</b>	IP 68
<b>Pollution severity</b>	3
<b>Temperature range</b>	-25 °C to +90 °C
<b>Inflammability class</b>	
<b>Contact bearer</b>	94 V-2
<b>Approvals</b>	
<b>UL</b>	UL
<b>Packing unit</b>	
<b>Packaging unit</b>	100 pieces

The information published has been compiled as carefully as possible. It is subject to alteration without notice in technical as well as in price related/commercial respect.



Picture  
Drawing



The information published has been compiled as carefully as possible. It is subject to alteration without notice in technical as well as in price related/commercial respect.