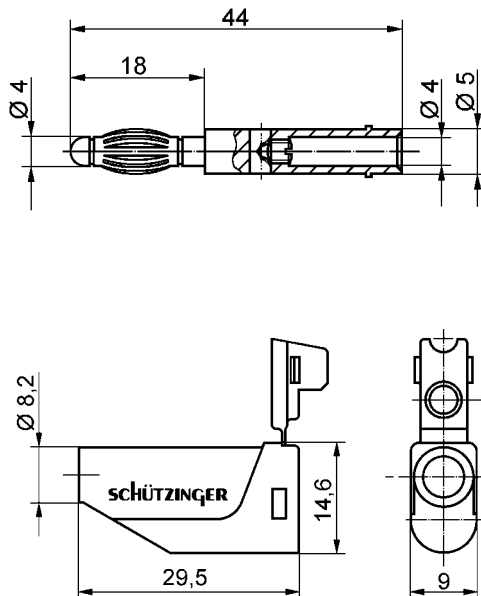


### Lamella-basket plug

- soldering terminal
- with line in socket
- with sleeve, unassembled

**order no. FK 15 L / 1 / ..(colour)**  
 - contact parts **nickel-plated**  
 - sleeve PE (Hostalen)  
 for wire square-section up to **1 mm<sup>2</sup>**  
 for insulation diameter up to **4 mm**

colours: see table



### Lamella-basket plug

- screw terminal
- with line in socket
- with sleeve, unassembled

**order no. FK 15 S / 1 / ..(colour)**  
 - contact parts **nickel-plated**  
 - sleeve PE (Hostalen)  
 for wire square section up to **1 mm<sup>2</sup>**  
 for insulation diameter up to **4 mm**

**order no. FK 15 S / 0,5 / ..(colour)**  
 - as above, but  
 - sleeve PE (Hostalen)  
 for wire square section up to **0.5 mm<sup>2</sup>**  
 for insulation diameter up to **2 mm**

colours: see table

General information			Technical data				
order no.	sleeve for lead	colours	terminal	transition resistance	rated voltage	rated current	operating temperature
<b>FK 15 L / 1 / ..(colour)</b> contact part nickel-plated	ø 4 mm	black red	soldering - 1 mm <sup>2</sup>	3 mΩ	30 V <sub>AC</sub> 60 V <sub>DC</sub>	16 A	- 25 °C ... + 110 °C
<b>FK 15 S / 1 / ..(colour)</b> contact part nickel-plated	ø 4 mm	blue yellow green	screw - 1 mm <sup>2</sup>	3 mΩ	30 V <sub>AC</sub> 60 V <sub>DC</sub>	16 A	- 25 °C ... + 110 °C
<b>FK 15 S / 0,5 / ..(colour)</b> contact part nickel-plated	ø 2 mm		screw - 0.5 mm <sup>2</sup>	3 mΩ	30 V <sub>AC</sub> 60 V <sub>DC</sub>	10 A	- 25 °C ... + 110 °C

other colours and platings on request