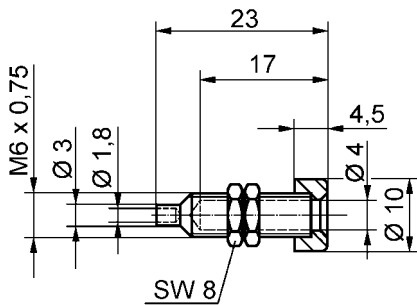


Socket

- fully insulated fitting
- insulated head screwed on
- hole ø 7.5 mm

order no. IBU 401 / .. (colour)
 - contact part material brass
 - contact part **nickel-plated**
 - insulation PA 6 (Polyamid)

colours: see table

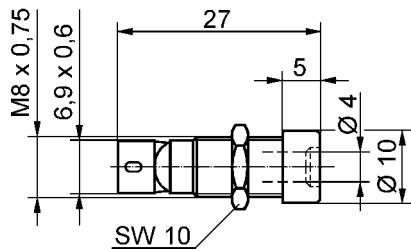


Socket

- insulated head screwed on
- hole ø 6.1 mm

order no. IBU 403 / .. (colour)
 - contact part material brass
 - contact part **nickel-plated**
 - insulation PA 6 (Polyamid)

colours: see table



Socket

- insulated
- hole ø 8 mm

order no. IBU 9213 / .. (colour)
 - contact part material rolled brass sheet
 - contact part **tin-plated**
 - insulation ABS

General information			Technical data				
order no.	max. torque for nuts	colours	terminal	transition resistance	rated voltage	rated current	operating temperature
IBU 401 / .. (colour) contact part nickel-plated	300 Ncm	black, red, blue, yellow, green,white	soldering, solder loop	< 10 mΩ	30 V _{AC} 60 V _{DC}	32 A	- 25 °C ... + 80 °C
IBU 403 / .. (colour) contact part nickel-plated	300 Ncm	black, red, blue, yellow, green,white	soldering, solder loop	< 10 mΩ	30 V _{AC} 60 V _{DC}	32 A	- 25 °C ... + 80 °C
IBU 9213 / .. (colour) contact part tin-plated	100 Ncm	black red	soldering, cable lug	< 10 mΩ	30 V _{AC} 60 V _{DC}	16 A	- 30 °C ... + 90 °C

other types and platings on request