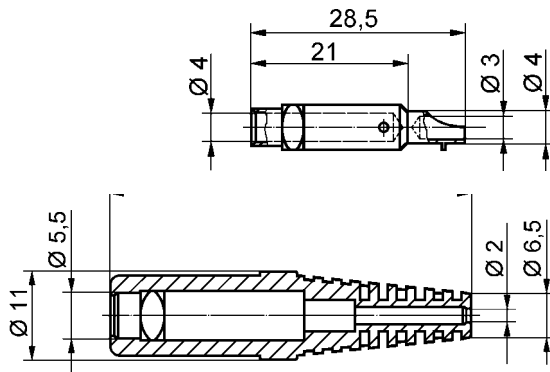


Coupler

- soldering cup
- with sleeve, unassembled

order no. KU 09 L / ..(colour)
 - contact part **nickel-plated**
 - sleeve TPE (Evoprene)
 for wire square section up to **2.5 mm²**
 for insulation diameter up to **4 mm**

colours: see table

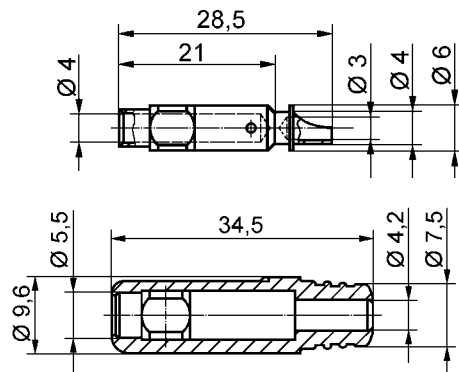


Coupler

- soldering cup
- with sleeve, unassembled

order no. KU 92 L / ..(colour)
 - contact part **nickel-plated**
 - sleeve TPE (Evoprene)
 for wire square section up to **0.5 mm²**
 for insulation diameter up to **2 mm**

colours: see table



Coupler

- soldering cup
- with sleeve, unassembled

order no. KU 32 L / ..(colour)
 - contact part **nickel-plated**
 - sleeve TPE (Evoprene)
 for wire square-section up to **2.5 mm²**
 for insulation diameter up to **4 mm**

colours: see table

General information			Technical data				
order no.	sleeve for lead	colours	terminal	transition resistance	rated voltage	rated current	operating temperature
KU 09 L / ..(colour) contact part nickel-plated	ø 4 mm	black red blue	soldering - 2.5 mm ²	3 mΩ	30 V _{AC} 60 V _{DC}	32 A	- 30 °C ... + 110 °C
KU 92 L / ..(colour) contact part nickel-plated	ø 2 mm	yellow green	soldering - 0.5 mm ²	3 mΩ	30 V _{AC} 60 V _{DC}	10 A	- 30 °C ... + 110 °C
KU 32 L / ..(colour) contact part nickel-plated	ø 4 mm	black red	soldering - 2.5 mm ²	3 mΩ	30 V _{AC} 60 V _{DC}	32 A	- 30 °C ... + 110 °C

other colours and platings on request